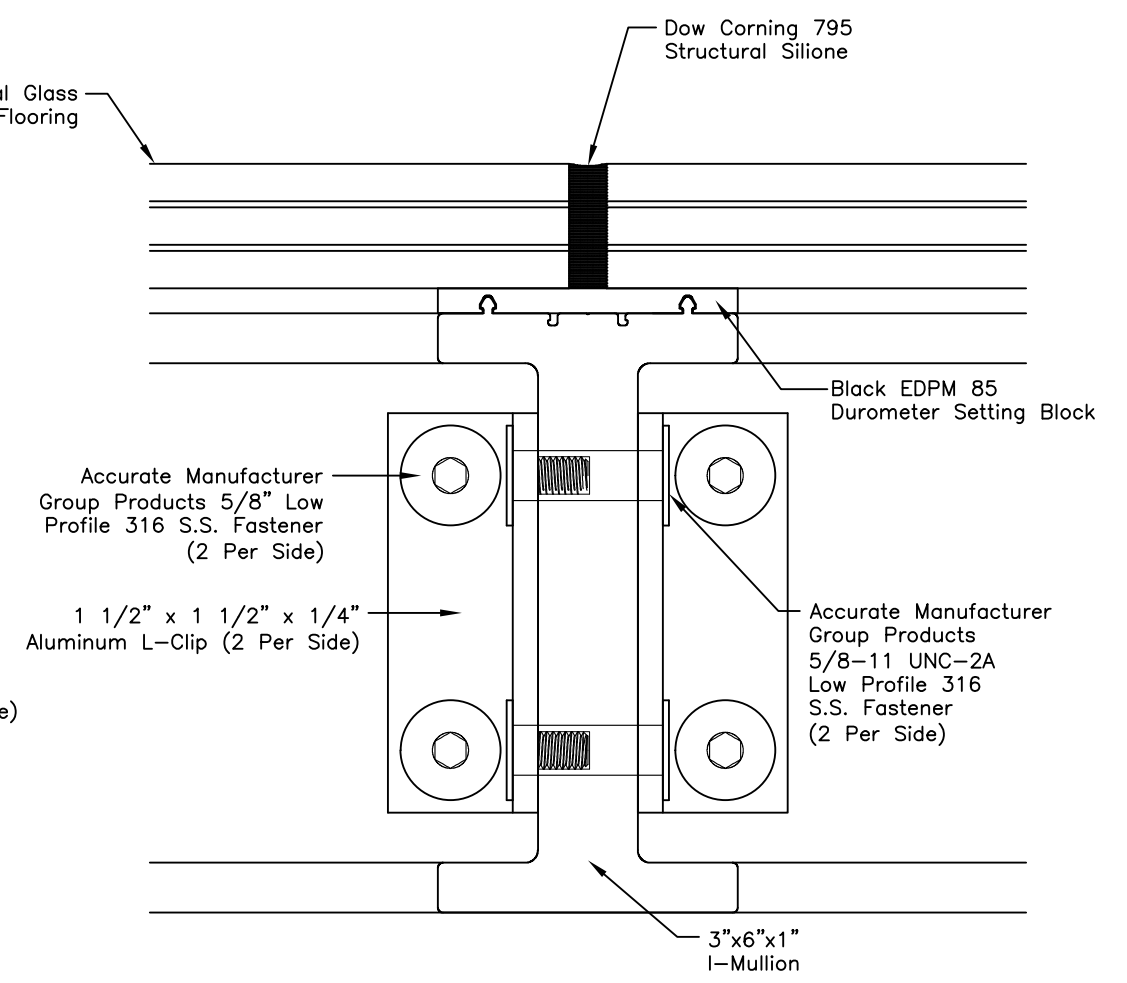


Interior Wood Flooring Detail W/I-Mullion



I-Mullion Detail

| Rev. No. | Date | Description |
|---|-----------------|-----------------|
| | | |
| | | |
| MANUFACTURER Glass Flooring Systems, Inc. 10 Leslie Court Whippany, NJ 07981 | | |
| Interior Recessed Glass Floor Standard Details | | |
| SCALE: NTS ALL ELEVATIONS ARE VIEWED FROM EXTERIOR | | |
| DRAWN JEW | DATE 1-21-18 | DWG NO. 3004 |
| SHEET 1 OF 1 | | |



MULTIPLE PATENTS PENDING