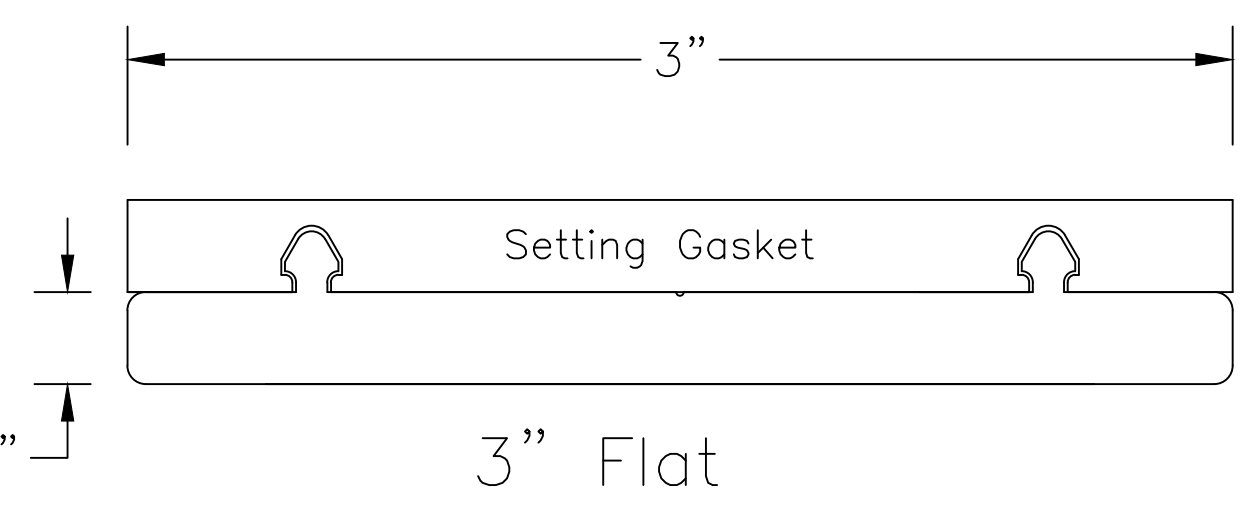
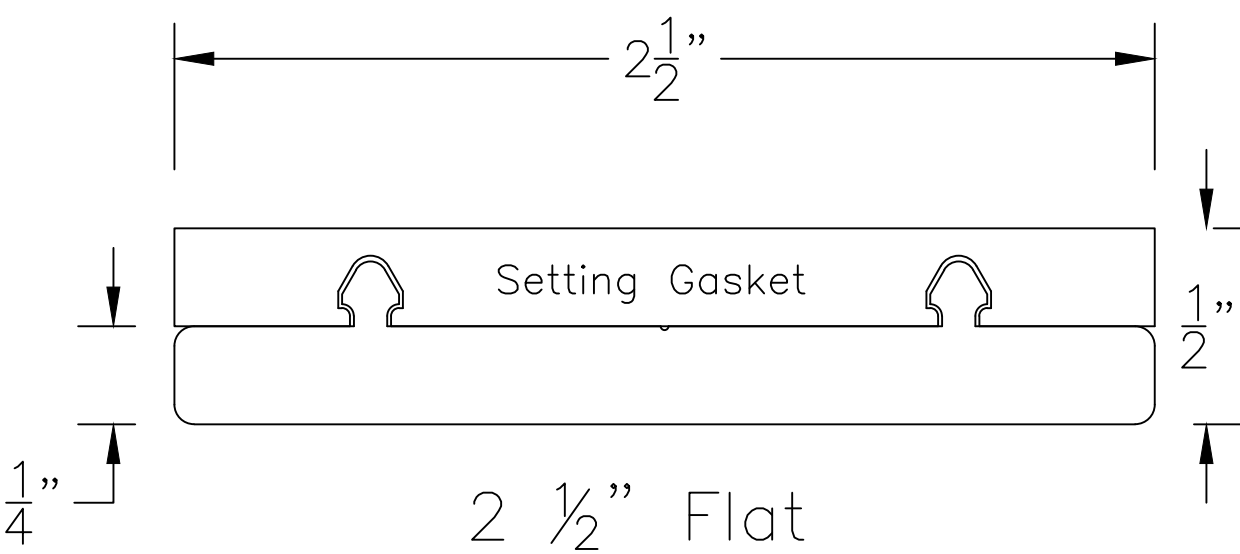
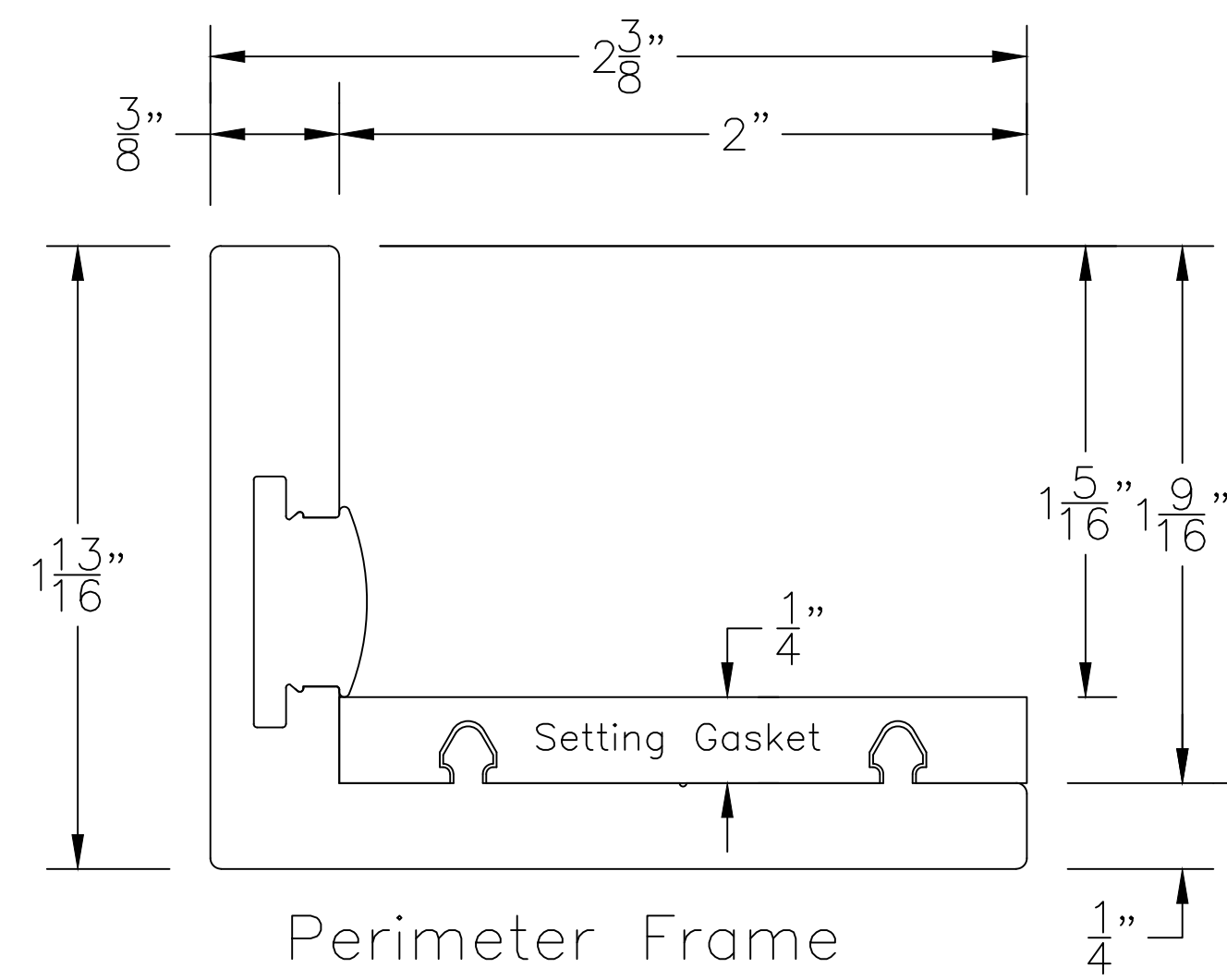


E Frame Extrusions & Setting Blocks

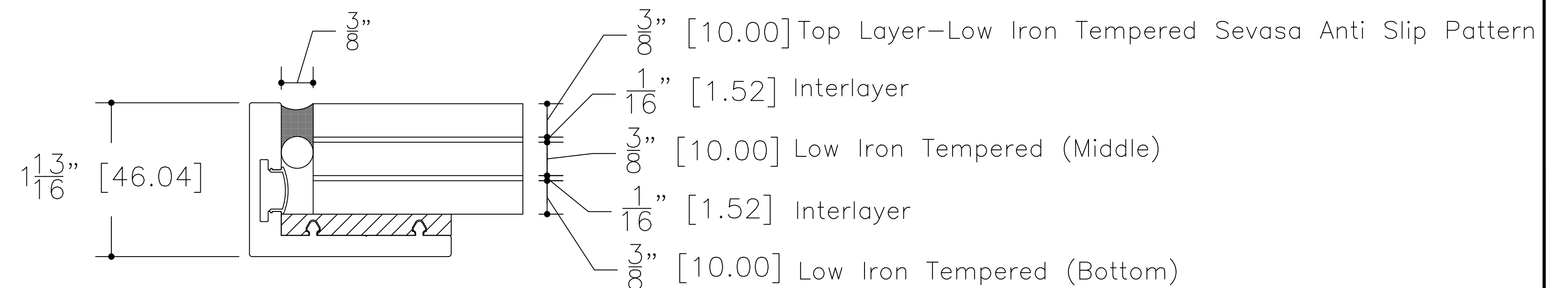
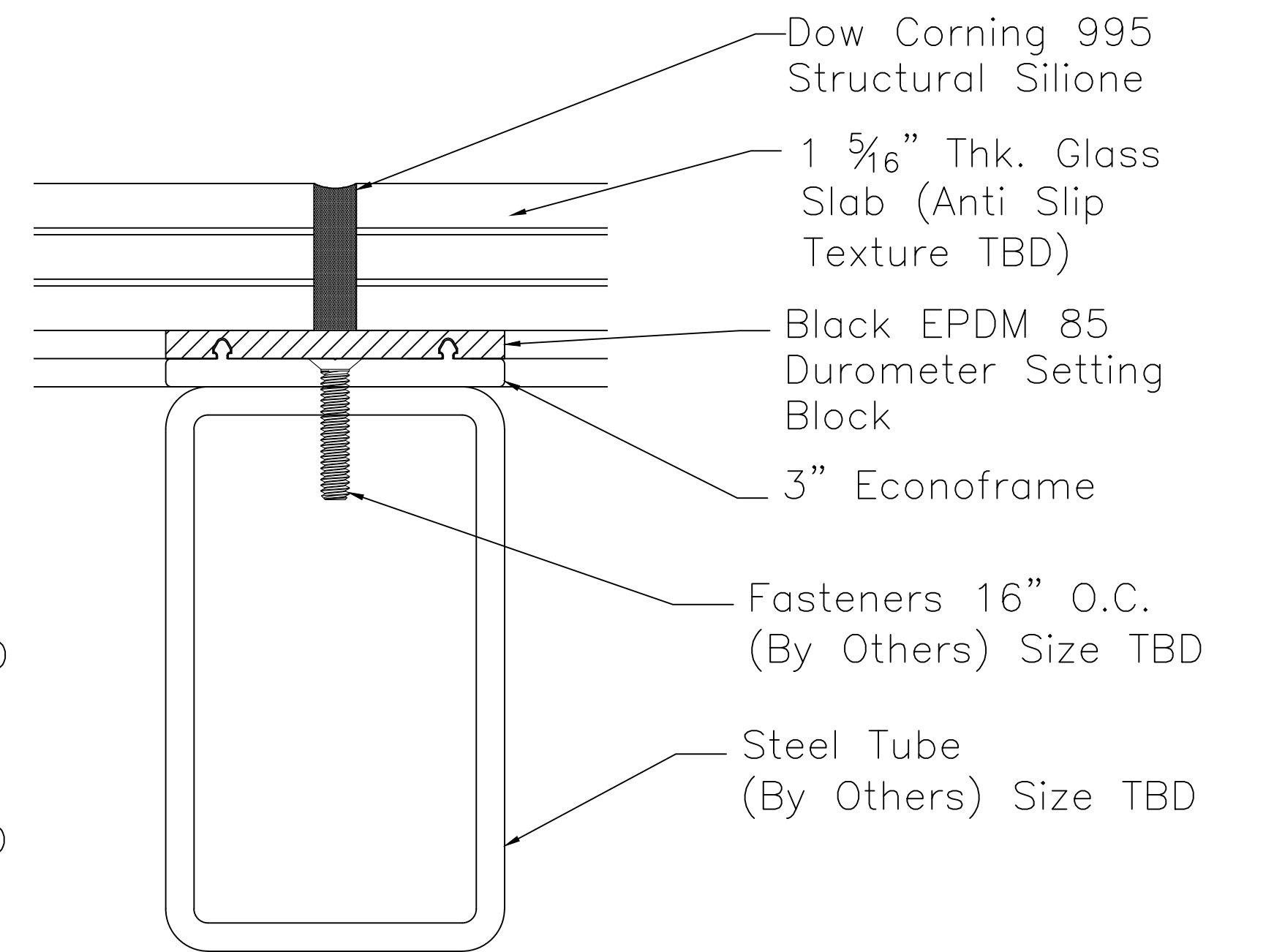
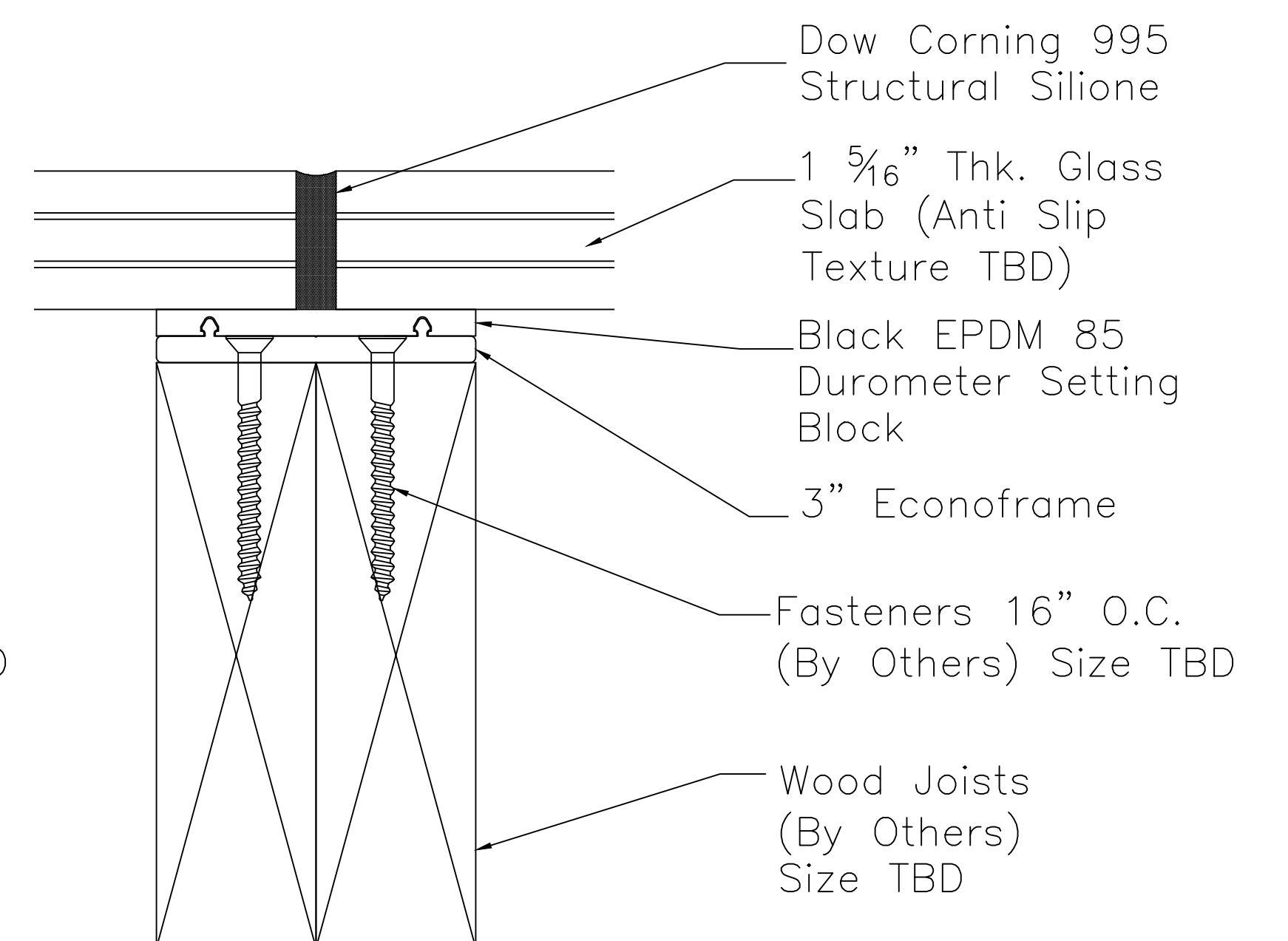
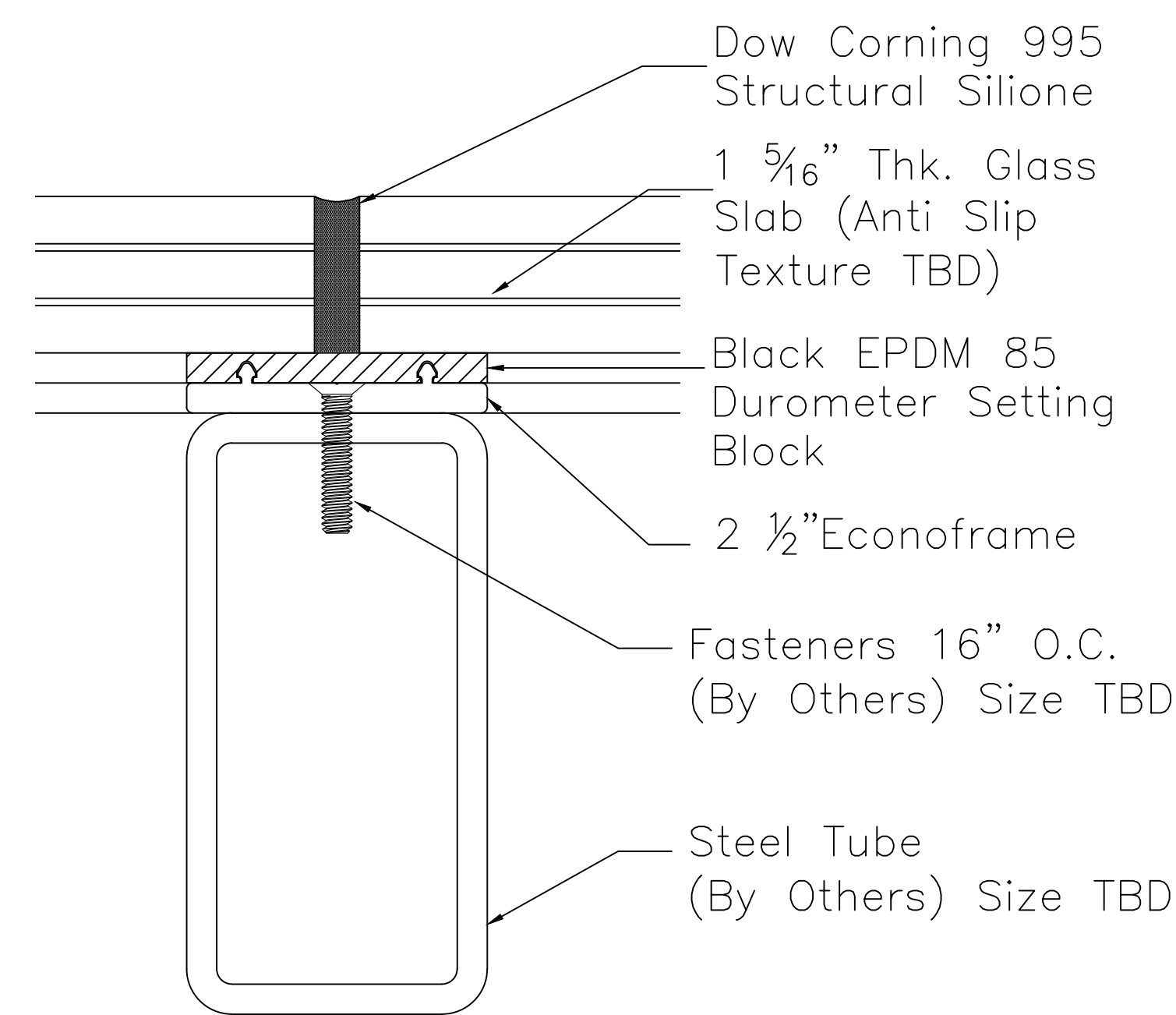
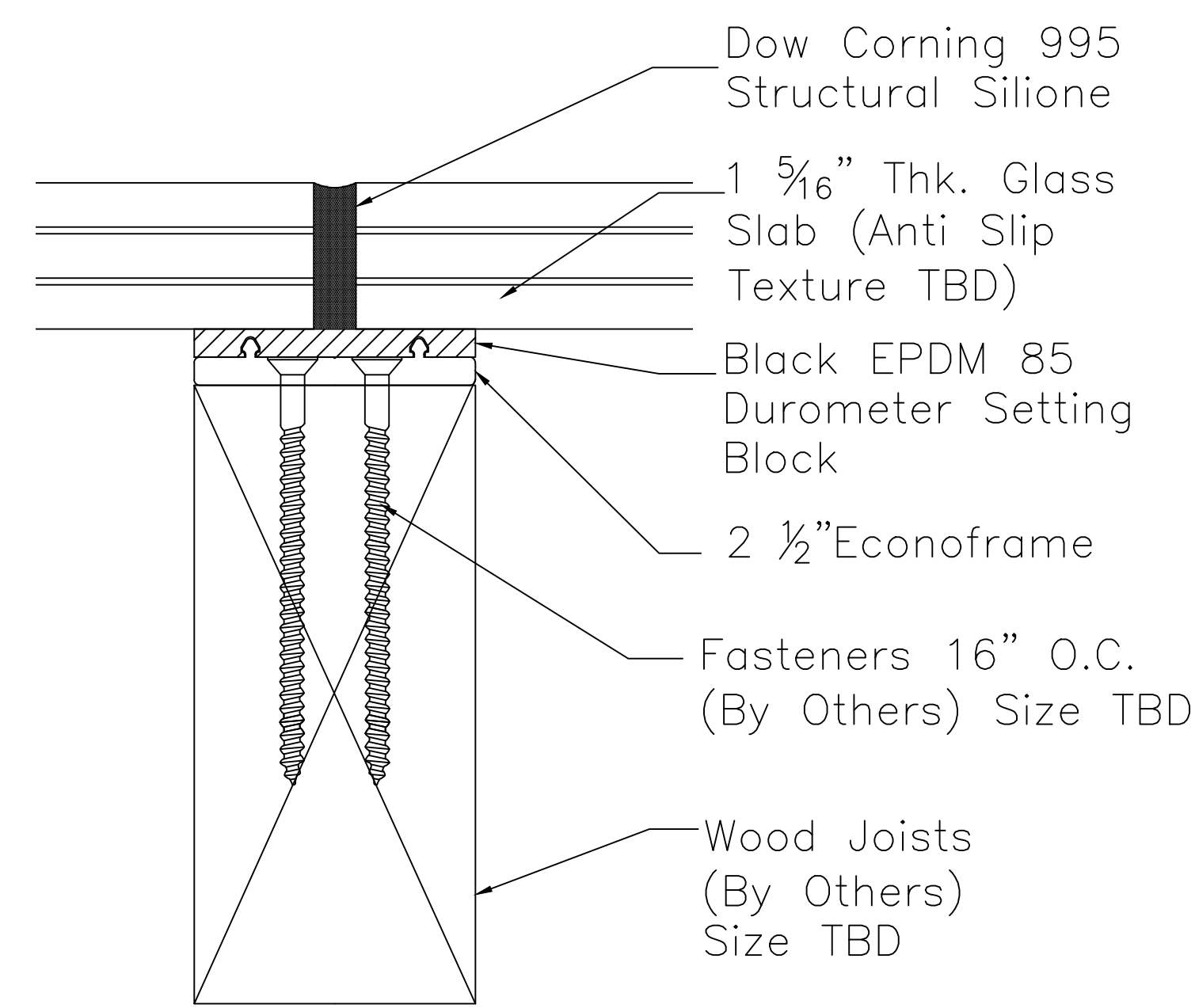
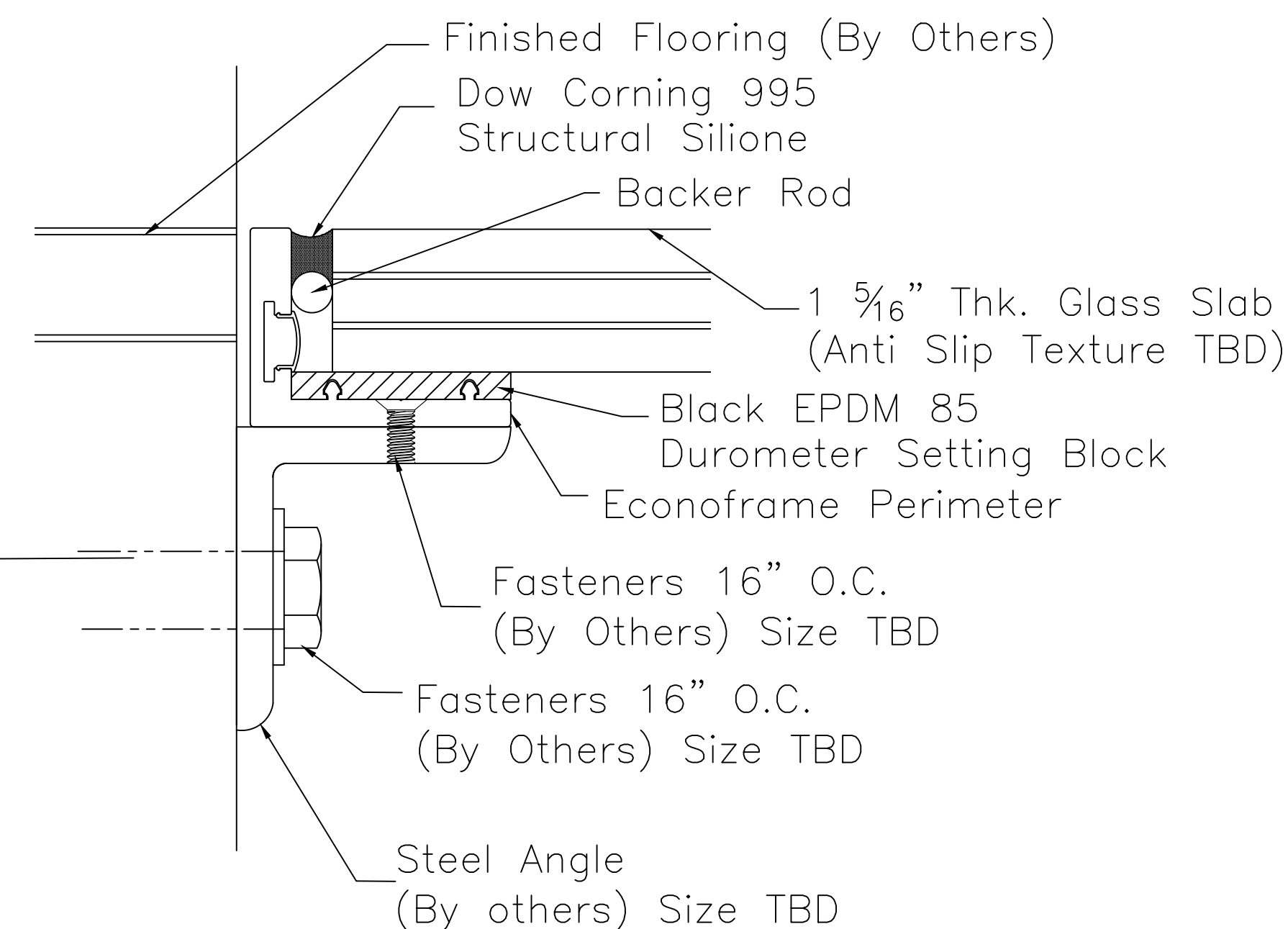
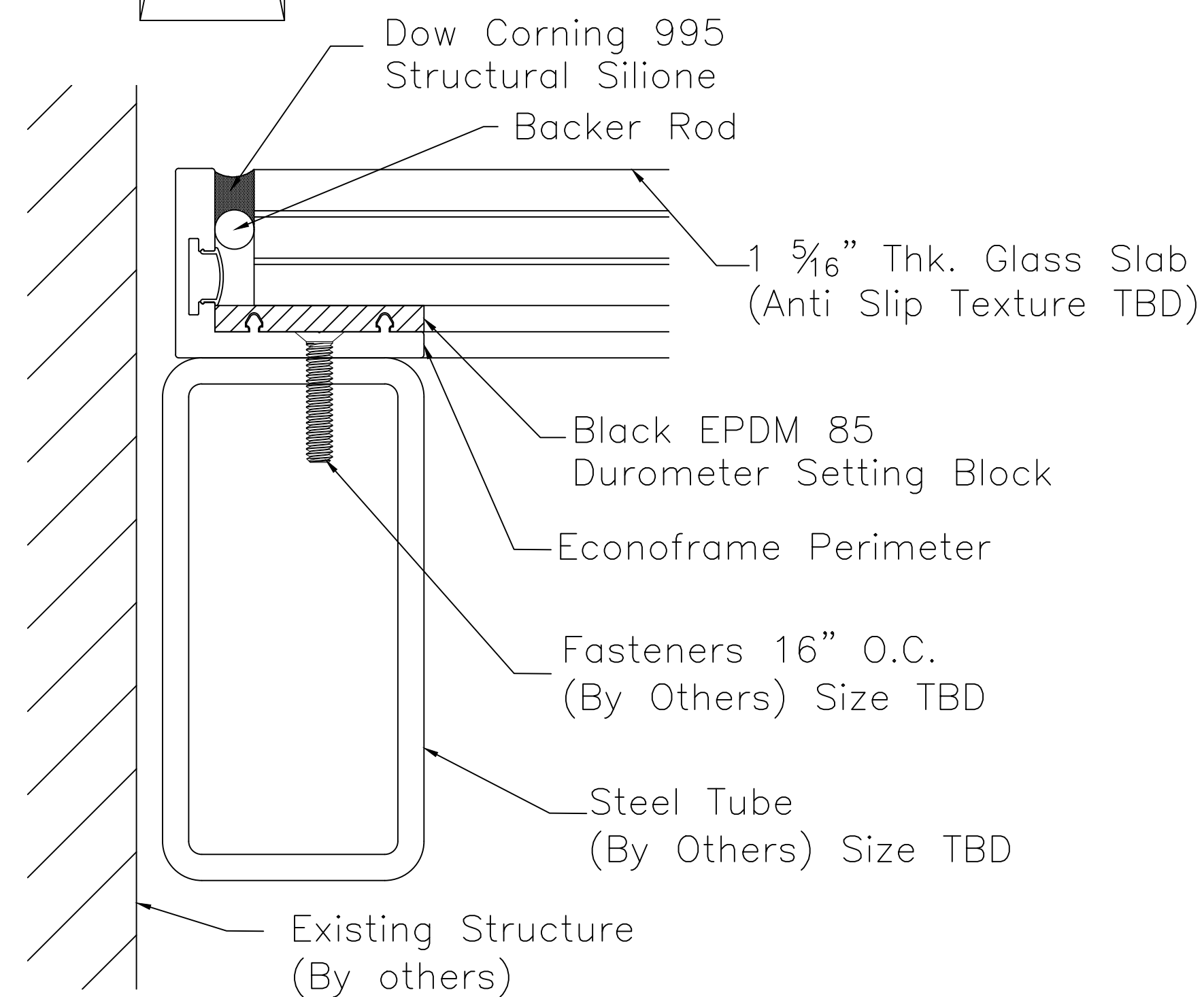
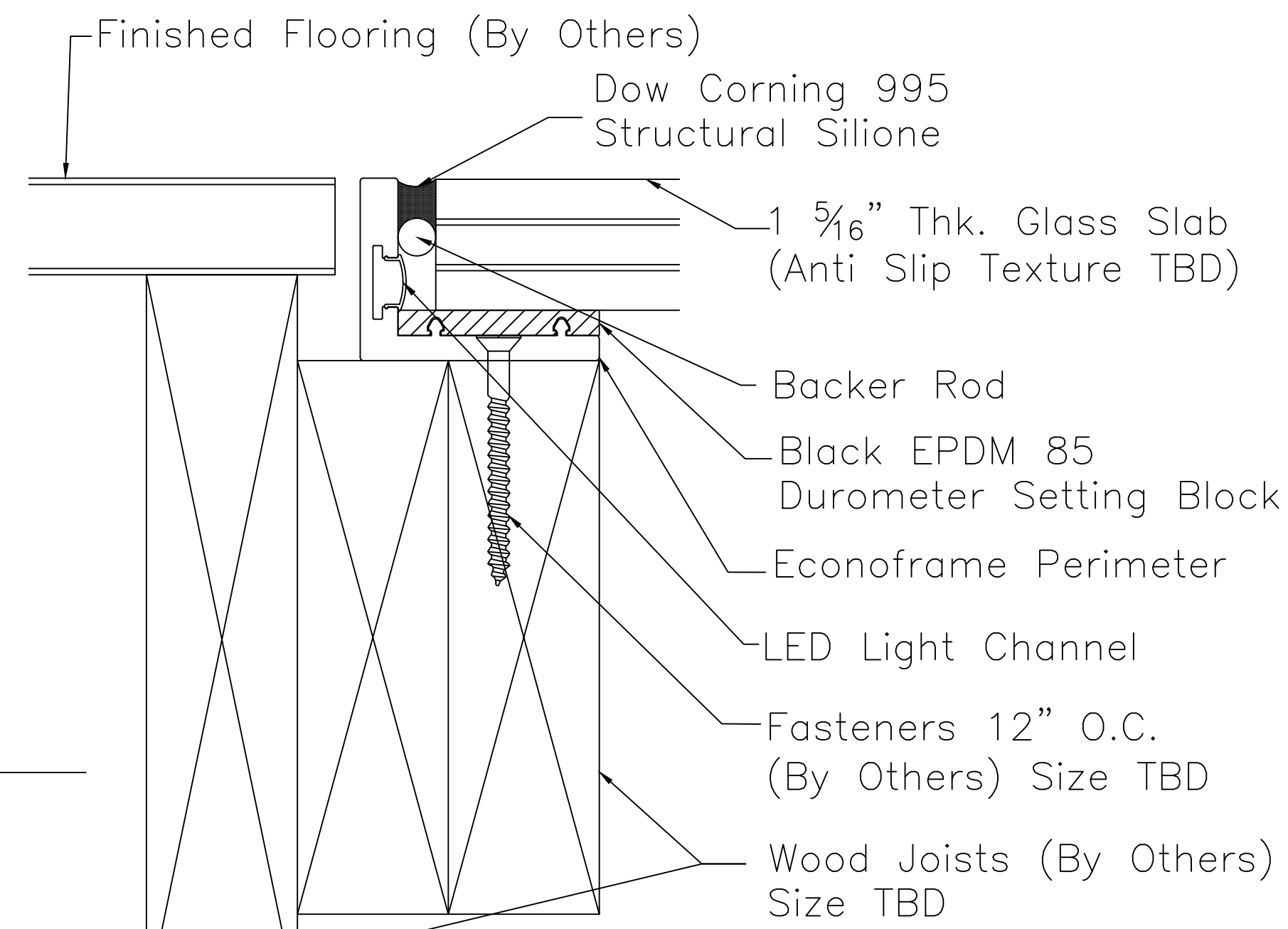


Common Application Details

The E-Frame is designed to work as a NON-Structural assembly and works with many types of structural elements such as steel or wood.

The E-Frame provides a hard EPDM setting block and also a clean finished edge allowing installers an easy way to trim off finishes adjacent to the glass,

E-Frame material provides users an easy way to capture structural glass flooring on decks, interiors, bridges and catwalks



Glass Make-up Detail