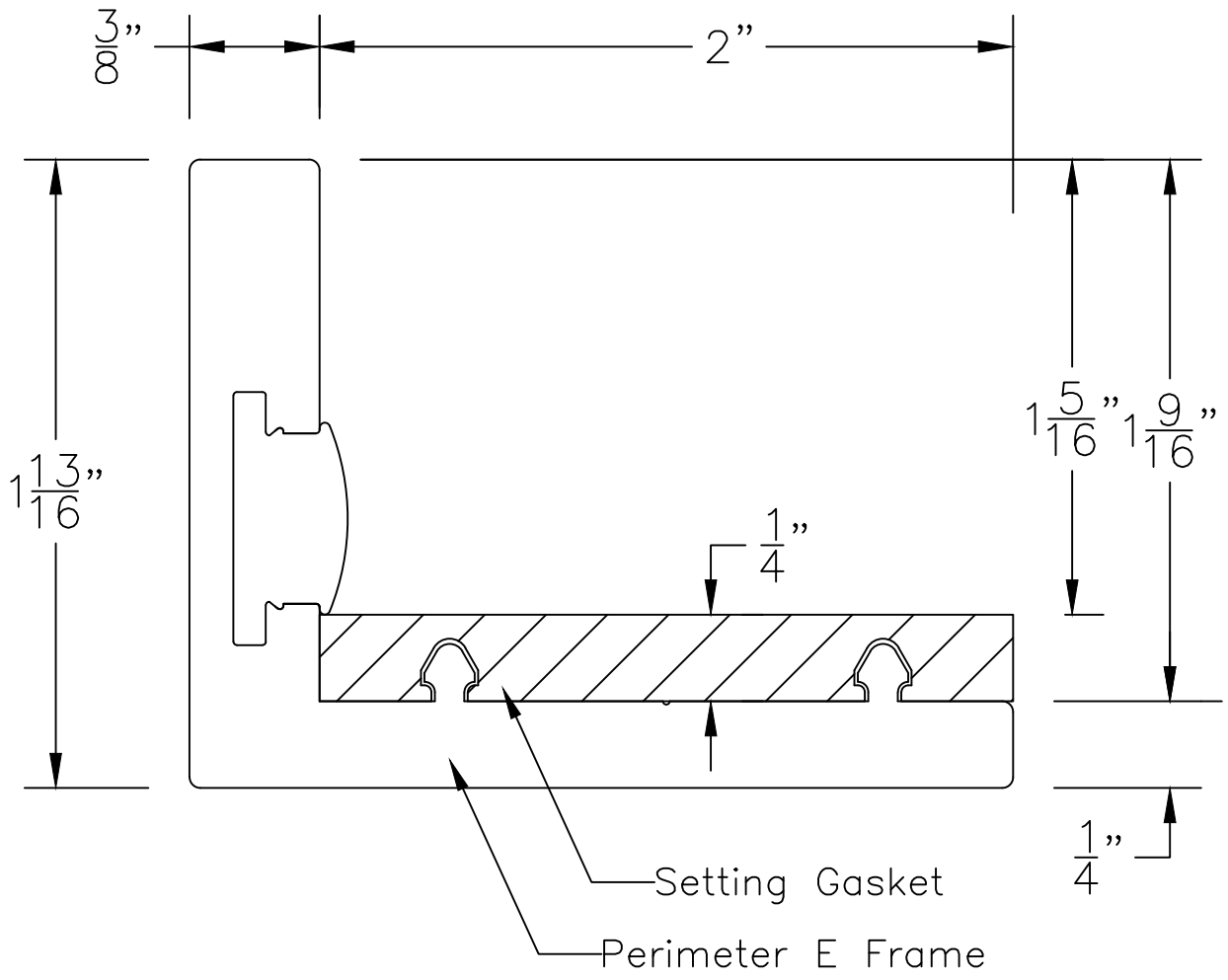
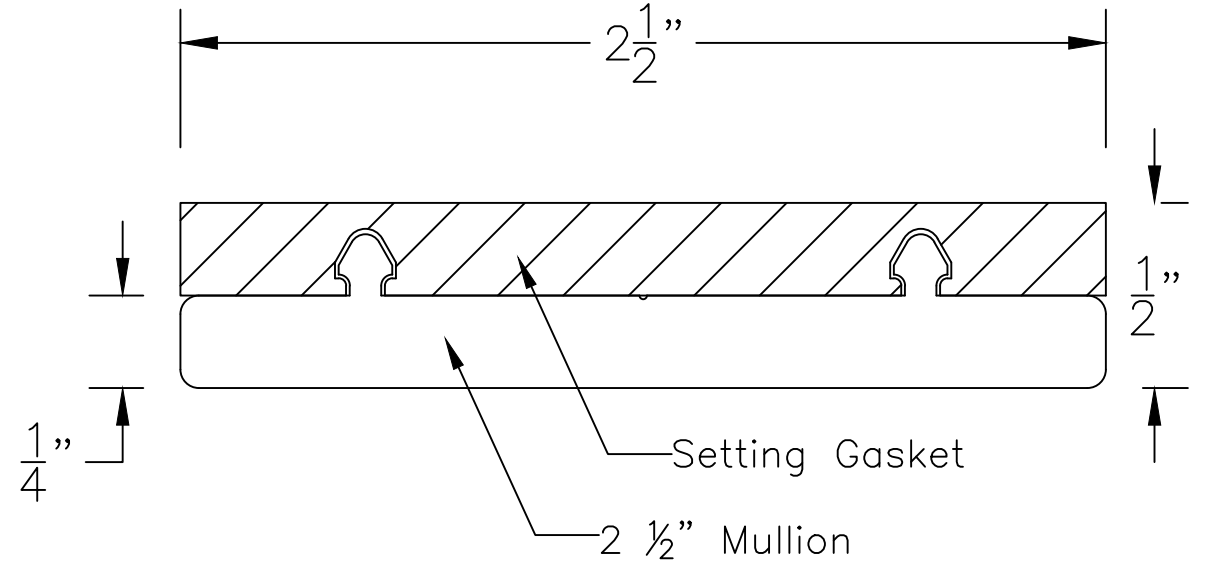


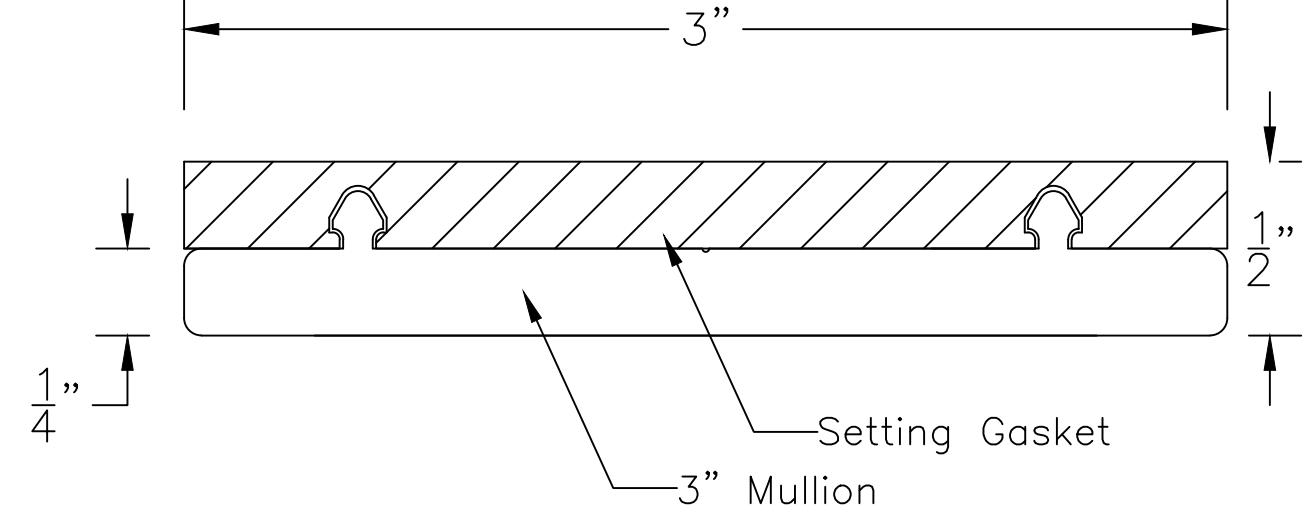
Patent #'s
 US 9,874,018
 US 9,909,309
 US 9,920,532
 US 9,797,140
 US 9,777,531
 US 9,598,867
 US 9,441,378



① Perimeter Economy Frame (E-Frame)



② 2 1/2 inch E-Frame Mullion



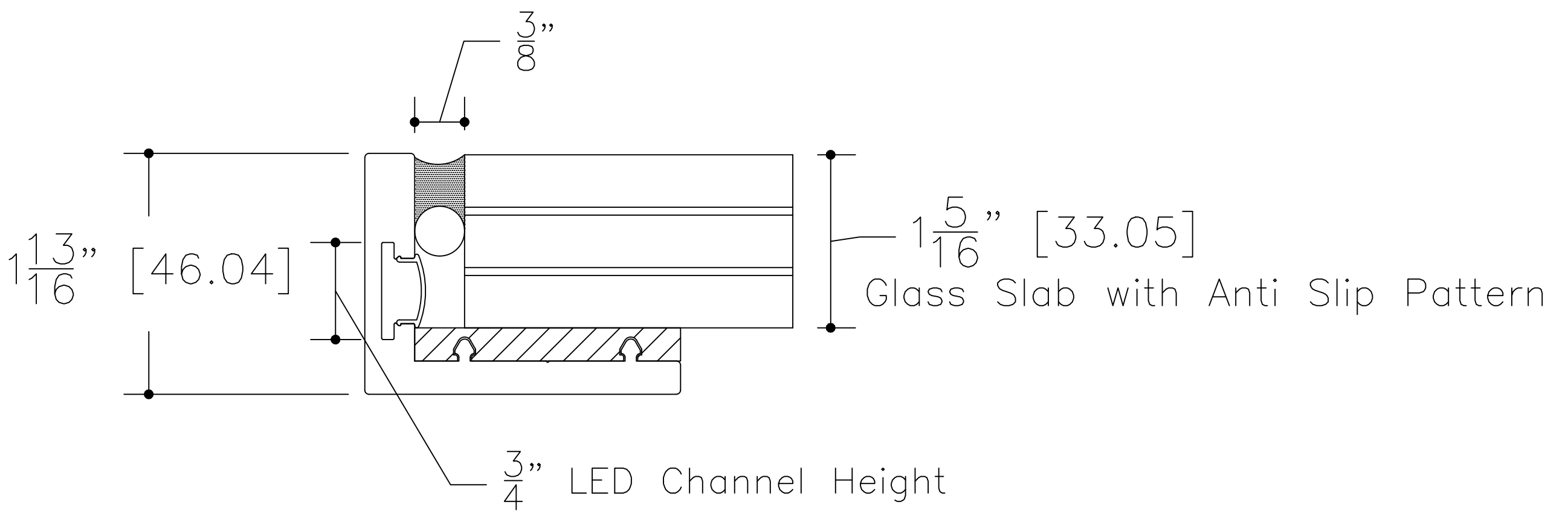
③ 3 inch E-Frame Mullion

Common Application Details

The E-Frame is designed to work as a NON-Structural assembly and works with many types of structural elements such as steel or wood.

The E-Frame provides a hard EPDM setting block and also a clean finished edge allowing installers an easy way to trim off finishes adjacent to the glass,

E-Frame material provides users an easy way to capture structural glass flooring on decks, interiors, bridges and catwalks



E- Frame with Glass Make-up Detail



MANUFACTURER Glass Flooring Systems, Inc. 10 Leslie Court Whippany, NJ 07981			
Title Econoframe Common Detail			
SCALE: NTS			
ALL ELEVATIONS ARE VIEWED FROM EXTERIOR			
DRAWN GFS	DATE 06/26/2018	DWG NO. Economy Skylight Details	SHEET 1 OF 1