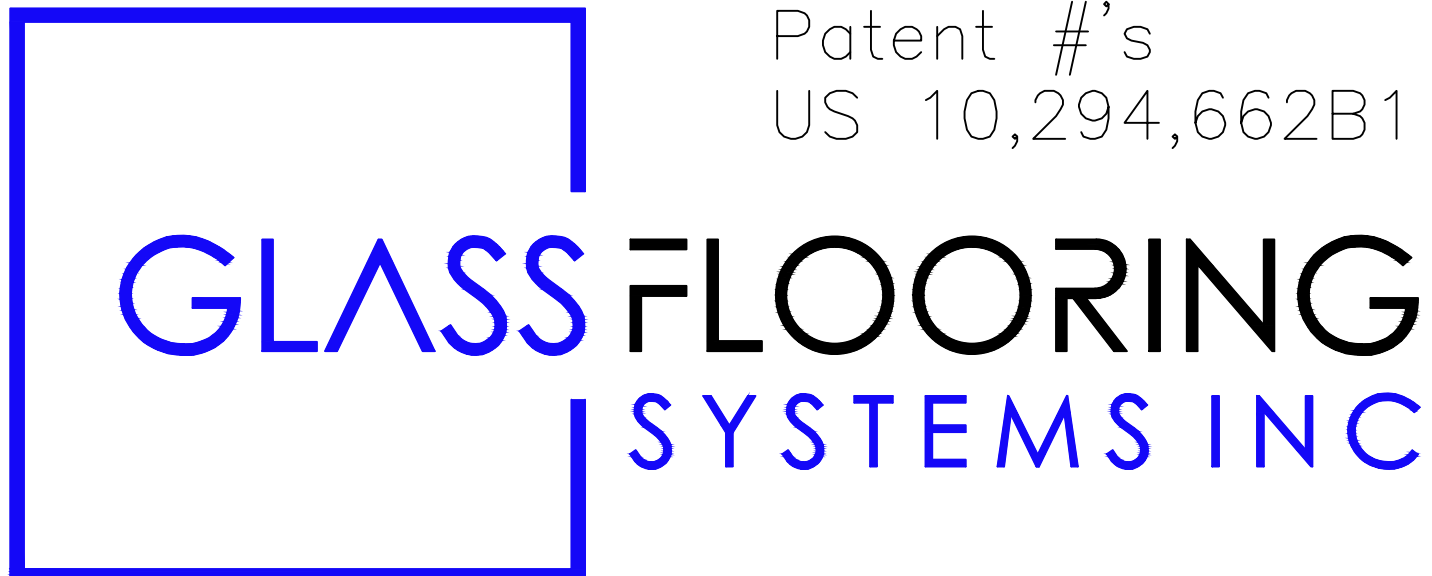


# SKYFLOOR<sup>TM</sup>

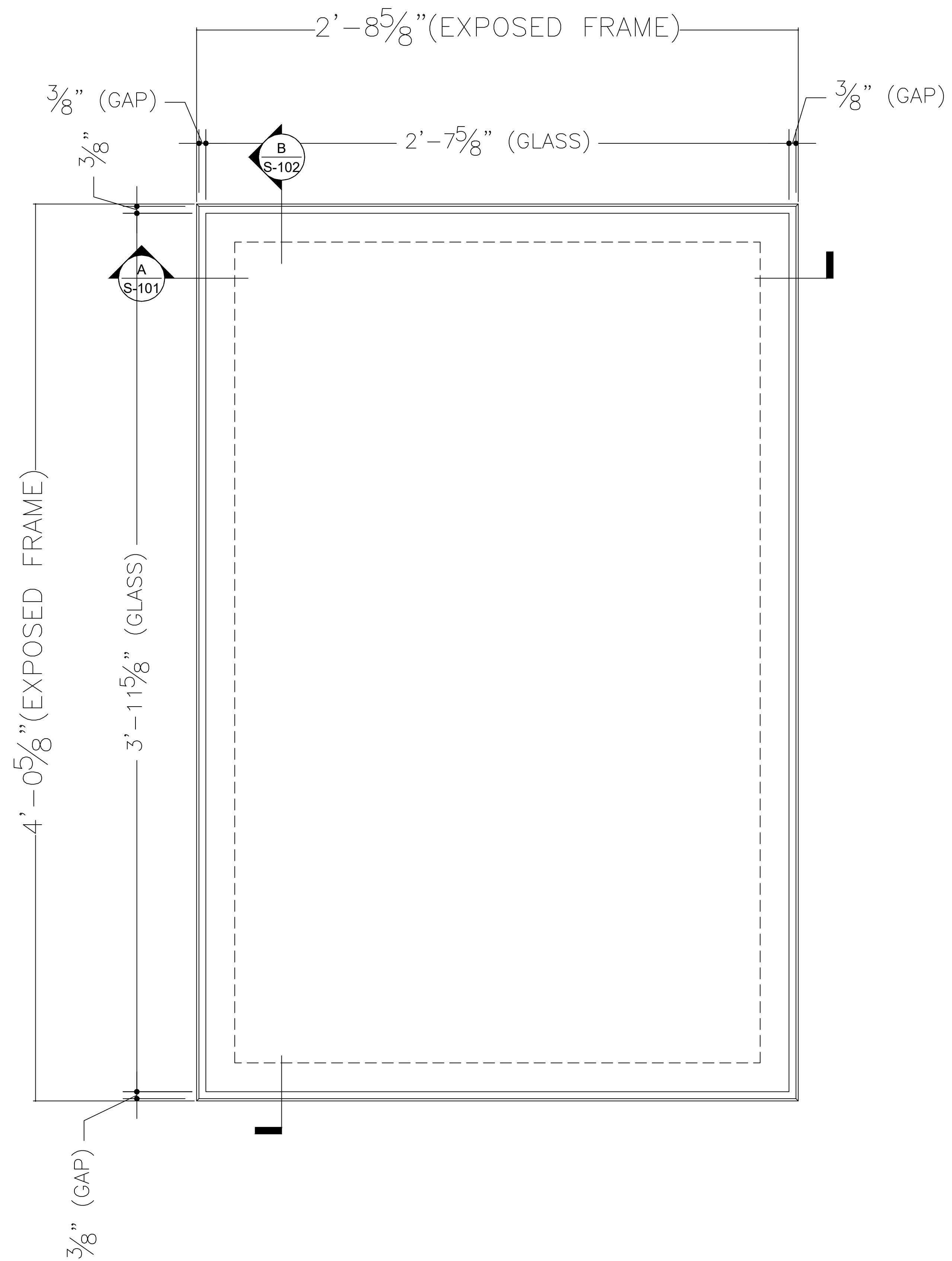
walkable skylights

## SkyFloor® Modular Glass Deck System

Glass Make-up	General Notes	Frame Components				
<p><b>Glazing Option A:</b>            10mm top layer - Low Iron Tempered LuxRaff Regular (Top)            1.52mm interlayer DG Structural            10mm middle layer - Low Iron Tempered (Middle)            1.52mm interlayer DG Structural            10mm bottom layer - Low Iron Tempered with back painted border (Bottom)</p> <p><b>Glazing Option B:</b>            10mm top layer - Low Iron Tempered NanoDot (Top)            1.52mm interlayer DG Structural            10mm middle layer - Low Iron Tempered (Middle)            1.52mm interlayer DG Structural            10mm bottom layer - Low Iron Tempered with back painted border (Bottom)</p>	<p>A. These drawings are the sole property of Glass Flooring Systems, Inc. and may not be used or duplicated without written consent from Glass Flooring Systems, Inc. Glass Flooring Systems, Inc. assumes no responsibility for work and or errors incurred by other trades through the use of these drawings.</p> <p>B. All items marked "by others" are not supplied by Glass Flooring Systems, Inc. and are shown for coordination and informational purposes only.</p> <p>C. Perimeter anchors, shims, backer rod, finish sealants and installation are the responsibility of the installer. Glass Flooring Systems, Inc. shall not accept any responsibility for such materials.</p> <p>D. Standard spacing between glass panels and between glass panels and frame are 3/8"</p> <p>E. User subject to "Terms and Conditions" in the user agreement for all products provided by Glass Flooring Systems Incorporate.</p>	<p><b>Perimeter Frame Type</b></p> <p>SkyFloor® Modular Glass Deck (Perimeter)</p> <p><b>Cross Beam Type</b></p> <p>3.5" SkyFloor® Modular Glass Deck (Flat Rafter Extrusion)</p>				
 <p>Patent #'s US 10,294,662B1</p>	<p style="text-align: center;"><b>32" x 48" Individual GFS32X48LR &amp; GFS32X48ND</b></p>	<p><b>Frame Finish</b></p> <p>Standard Black</p> <p><small>MANUFACTURER</small> Glass Flooring Systems, Inc. 6 Aaron Way Sparta, NJ 07871</p> <p><small>PROJECT</small> SkyFloor® Modular Glass Deck System - 32X48</p> <p style="text-align: center;"><small>ALL ELEVATIONS ARE VIEWED FROM EXTERIOR / NOT TO SCALE</small></p> <table border="1" style="width: 100%; border-collapse: collapse;"> <tr> <td style="width: 20%;"><small>DRAWN</small> GFS</td> <td style="width: 20%;"><small>DATE</small> 11/22/22</td> <td style="width: 60%; text-align: center;"><b>GFS32X48LR &amp; GFS32X48ND</b></td> <td style="width: 10%; text-align: right;"><small>SHEET</small> 1 of 7</td> </tr> </table>	<small>DRAWN</small> GFS	<small>DATE</small> 11/22/22	<b>GFS32X48LR &amp; GFS32X48ND</b>	<small>SHEET</small> 1 of 7
<small>DRAWN</small> GFS	<small>DATE</small> 11/22/22	<b>GFS32X48LR &amp; GFS32X48ND</b>	<small>SHEET</small> 1 of 7			

# 32X48 INDIVIDUAL UNIT

## GFS32X48LR AND GFS32X48ND

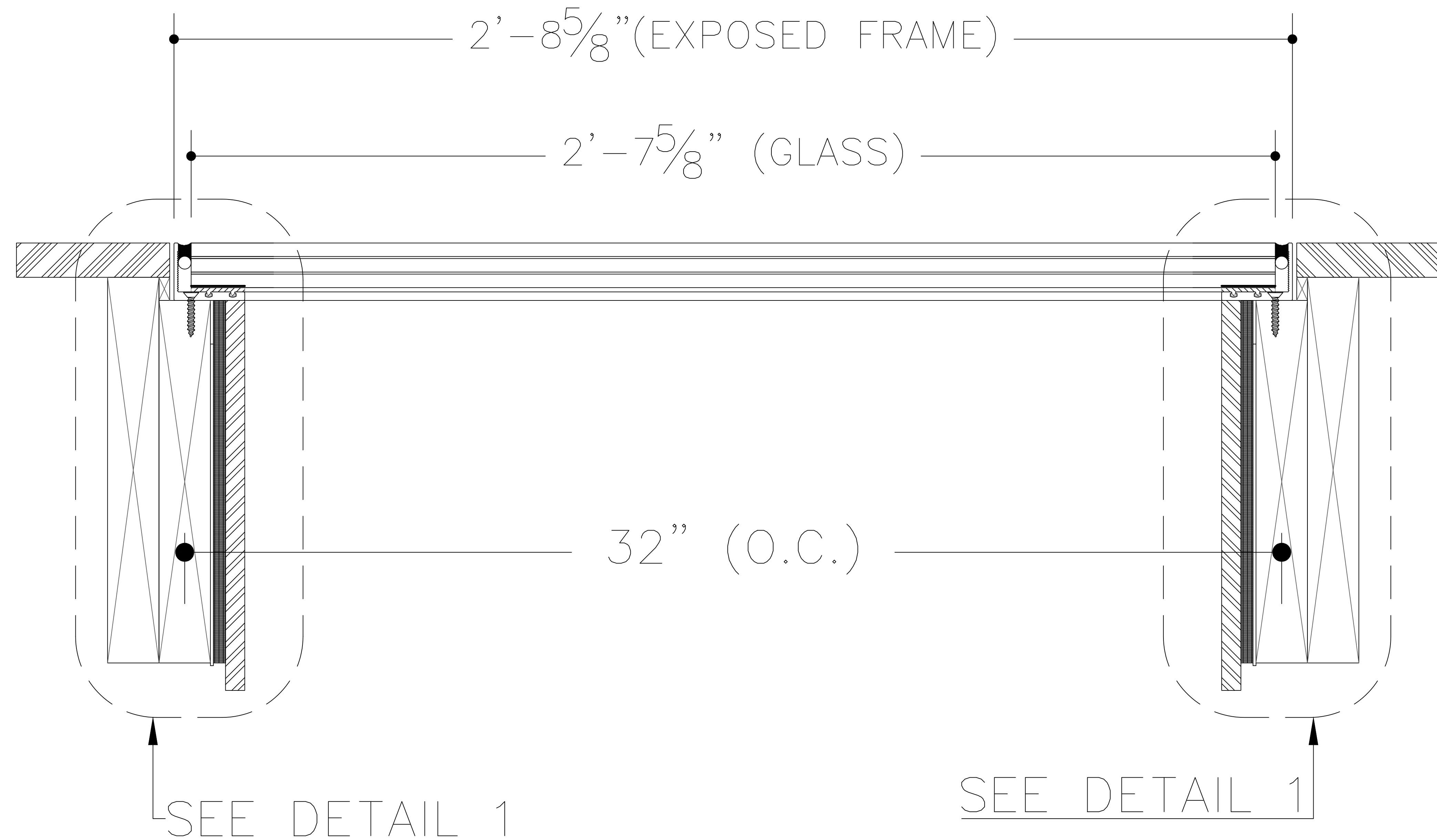


PLAN VIEW - INDIVIDUAL UNIT A

MANUFACTURER		Glass Flooring Systems, Inc. 6 Aaron Way Sparta, NJ 07871	
PROJECT		SkyFloor® Modular Glass Deck System - 32X48	
ALL ELEVATIONS ARE VIEWED FROM EXTERIOR / NOT TO SCALE			
DRAWN	DATE	GFS32X48LR & GFS32X48ND P-101	SHEET
GFS	11/22/22		2 of 7

# 32X48 INDIVIDUAL UNIT

## GFS32X48LR AND GFS32X48ND



SECTION A - INDIVIDUAL UNIT A

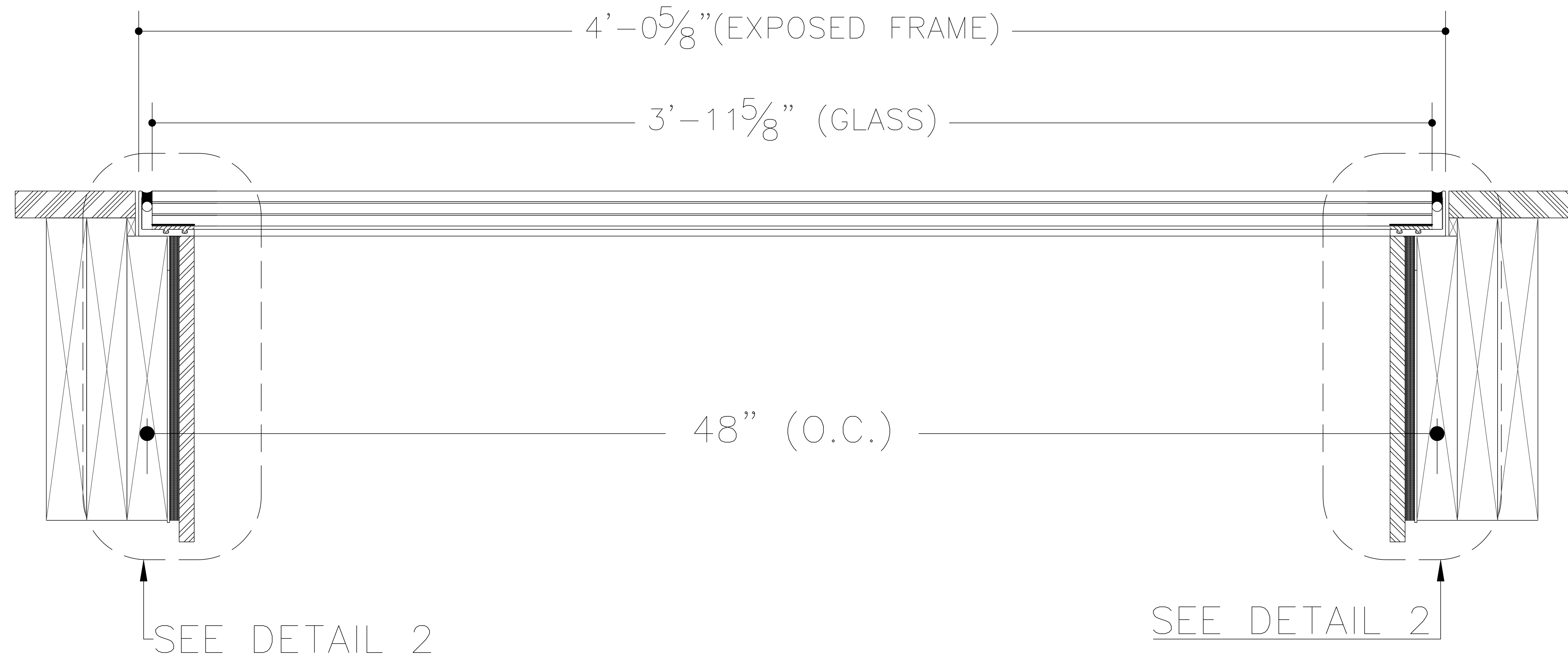
SUPPORT DECK FRAMING  
 SHOWN FOR EXAMPLE ONLY  
 PLEASE REFER TO DECK BUILDER FOR  
 ACCURATE FRAMING DETAIL

MANUFACTURER		Glass Flooring Systems, Inc. 6 Aaron Way Sparta, NJ 07871	
PROJECT		SkyFloor® Modular Glass Deck System - 32X48	
ALL ELEVATIONS ARE VIEWED FROM EXTERIOR / NOT TO SCALE			
DRAWN	DATE	GFS32X48LR & GFS32X48ND	S-101
GFS	11/22/22		3 of 7



# 32X48 INDIVIDUAL UNIT

## GFS32X48LR AND GFS32X48ND



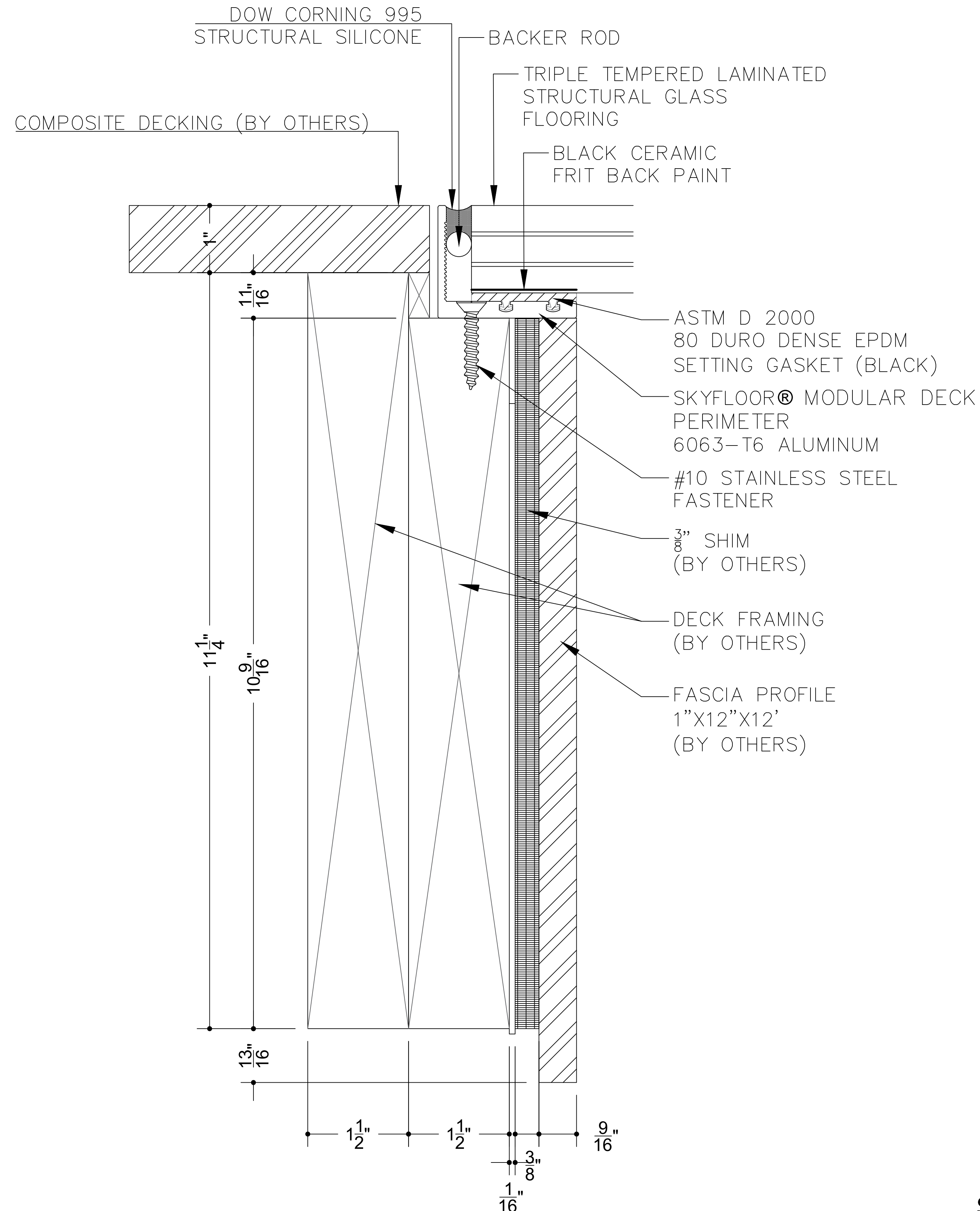
SECTION B - INDIVIDUAL UNIT A

SUPPORT DECK FRAMING  
SHOWN FOR EXAMPLE ONLY  
PLEASE REFER TO DECK BUILDER FOR  
ACCURATE FRAMING DETAIL

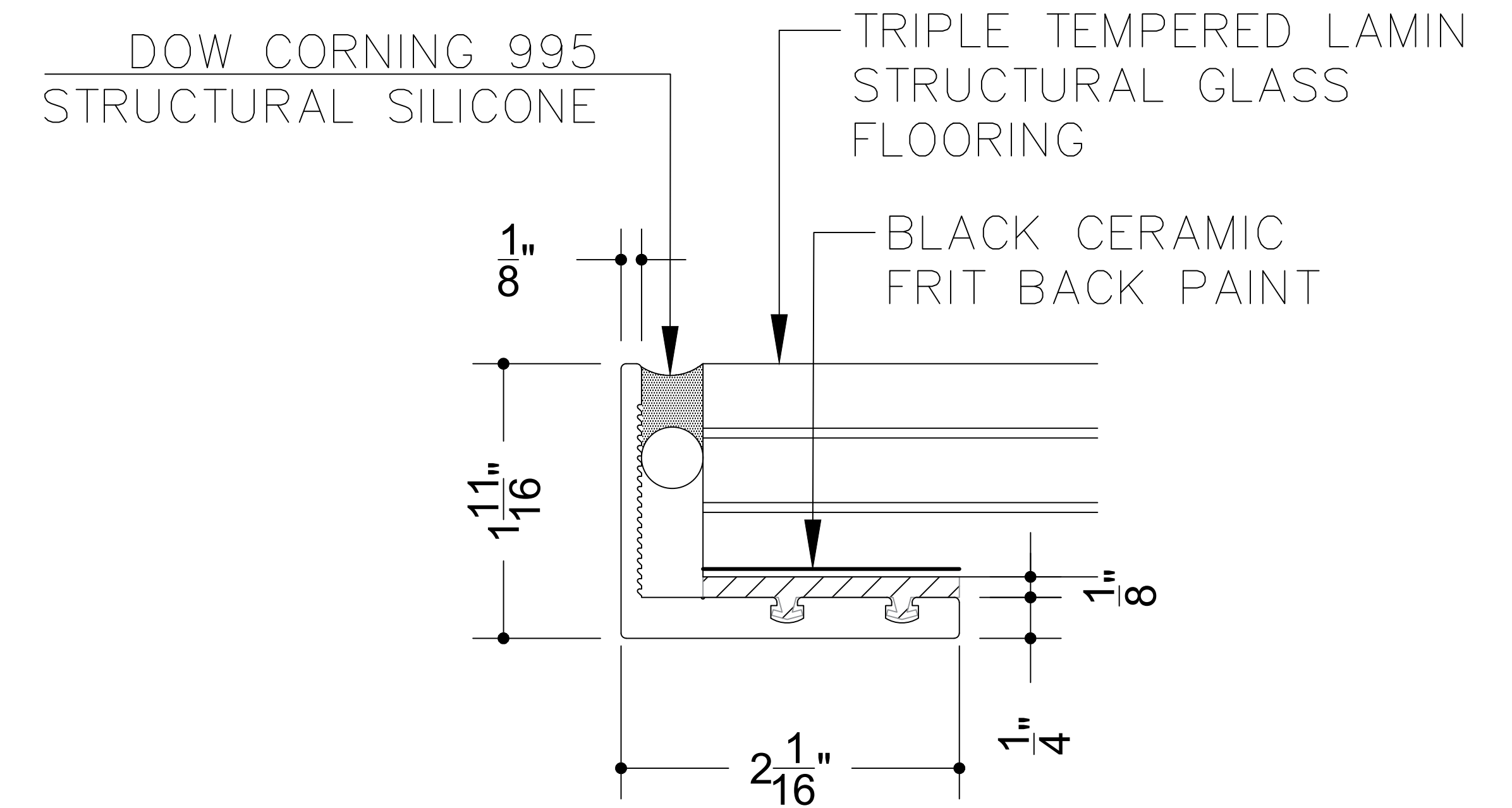
MANUFACTURER		Glass Flooring Systems, Inc. 6 Aaron Way Sparta, NJ 07871	
PROJECT		SkyFloor® Modular Glass Deck System - 32X48	
ALL ELEVATIONS ARE VIEWED FROM EXTERIOR / NOT TO SCALE			
DRAWN	DATE	GFS32X48LR & GFS32X48ND	S-102
GFS	11/22/22		4 of 7

# 32X48 INDIVIDUAL UNIT

## GFS32X48LR AND GFS32X48ND



**DETAIL 1 - SKYFLOOR® MODULAR GLASS DECK PERIMETER**



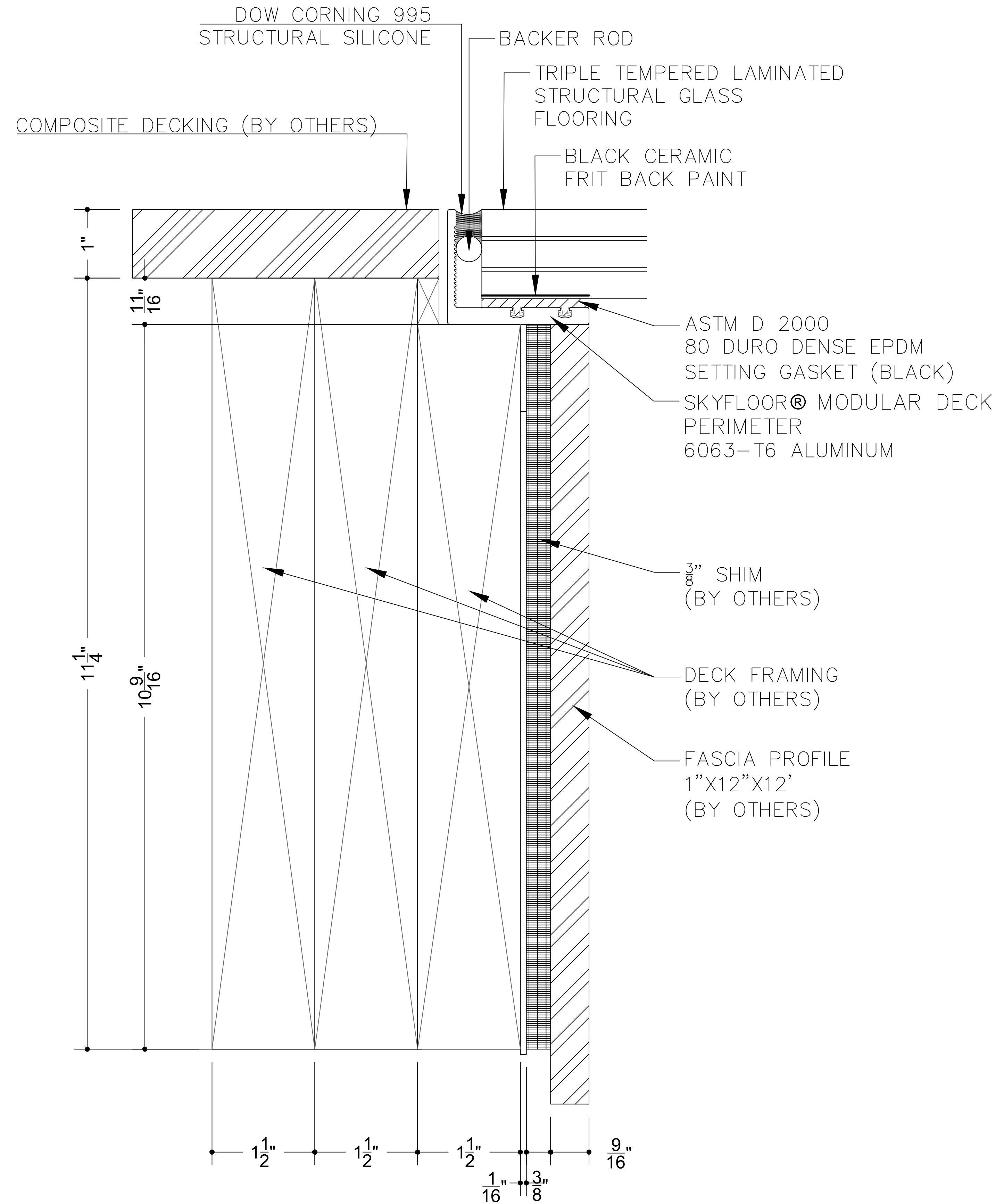
**DETAIL - SKYFLOOR® MODULAR GLASS DECK PERIMETER**

**SUPPORT DECK FRAMING SHOWN FOR EXAMPLE ONLY PLEASE REFER TO DECK BUILDER FOR ACCURATE FRAMING DETAIL**

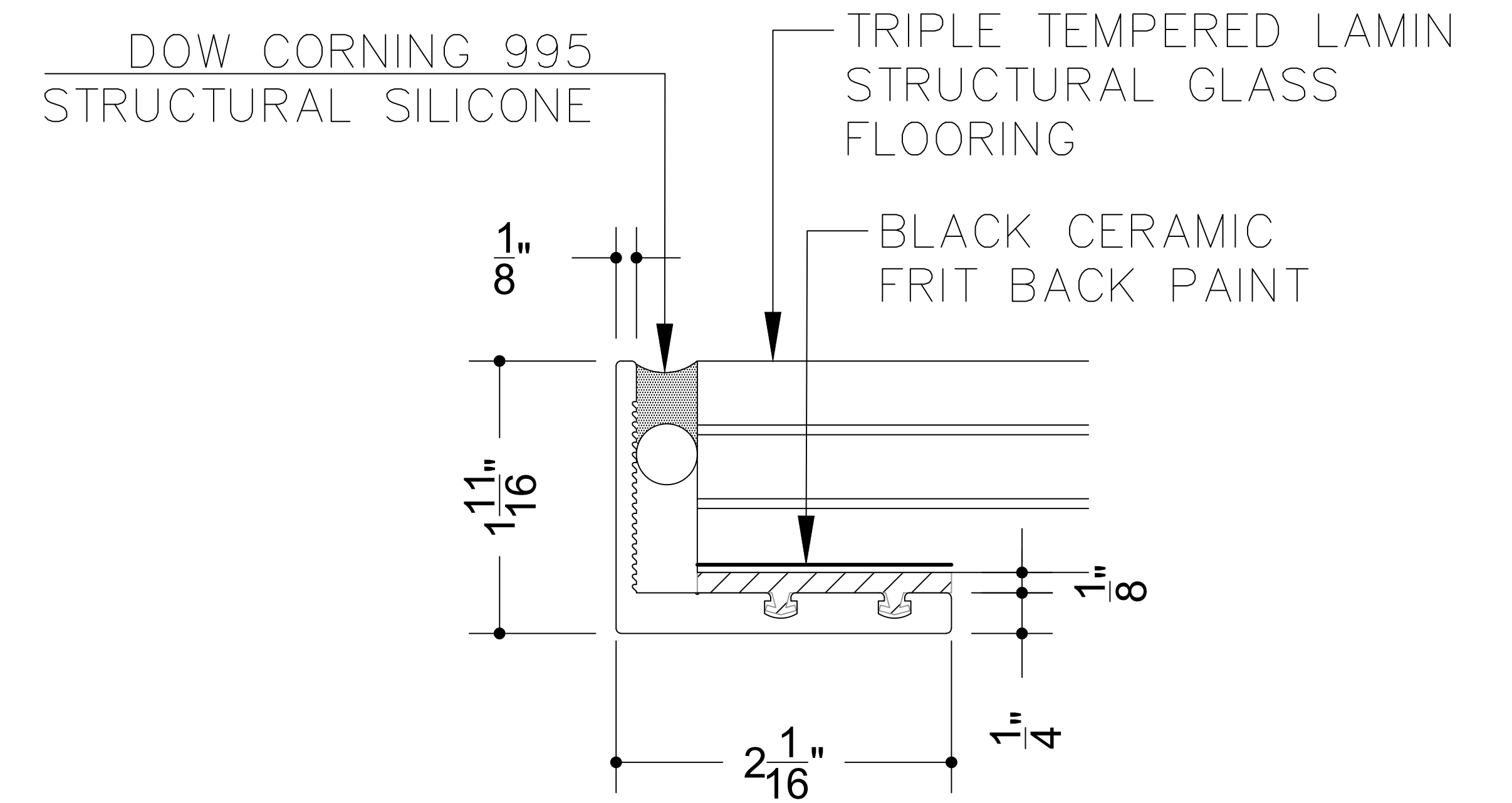
MANUFACTURER		Glass Flooring Systems, Inc. 6 Aaron Way Sparta, NJ 07871	
PROJECT		SkyFloor® Modular Glass Deck System - 32X48	
ALL ELEVATIONS ARE VIEWED FROM EXTERIOR / NOT TO SCALE			
DRAWN	DATE	GFS32X48LR & GFS32X48ND	S-103
GFS	11/22/22		5 of 7

# 32X48 INDIVIDUAL UNIT

## GFS32X48LR AND GFS32X48ND



**DETAIL 2 - SKYFLOOR® MODULAR GLASS DECK PERIMETER**



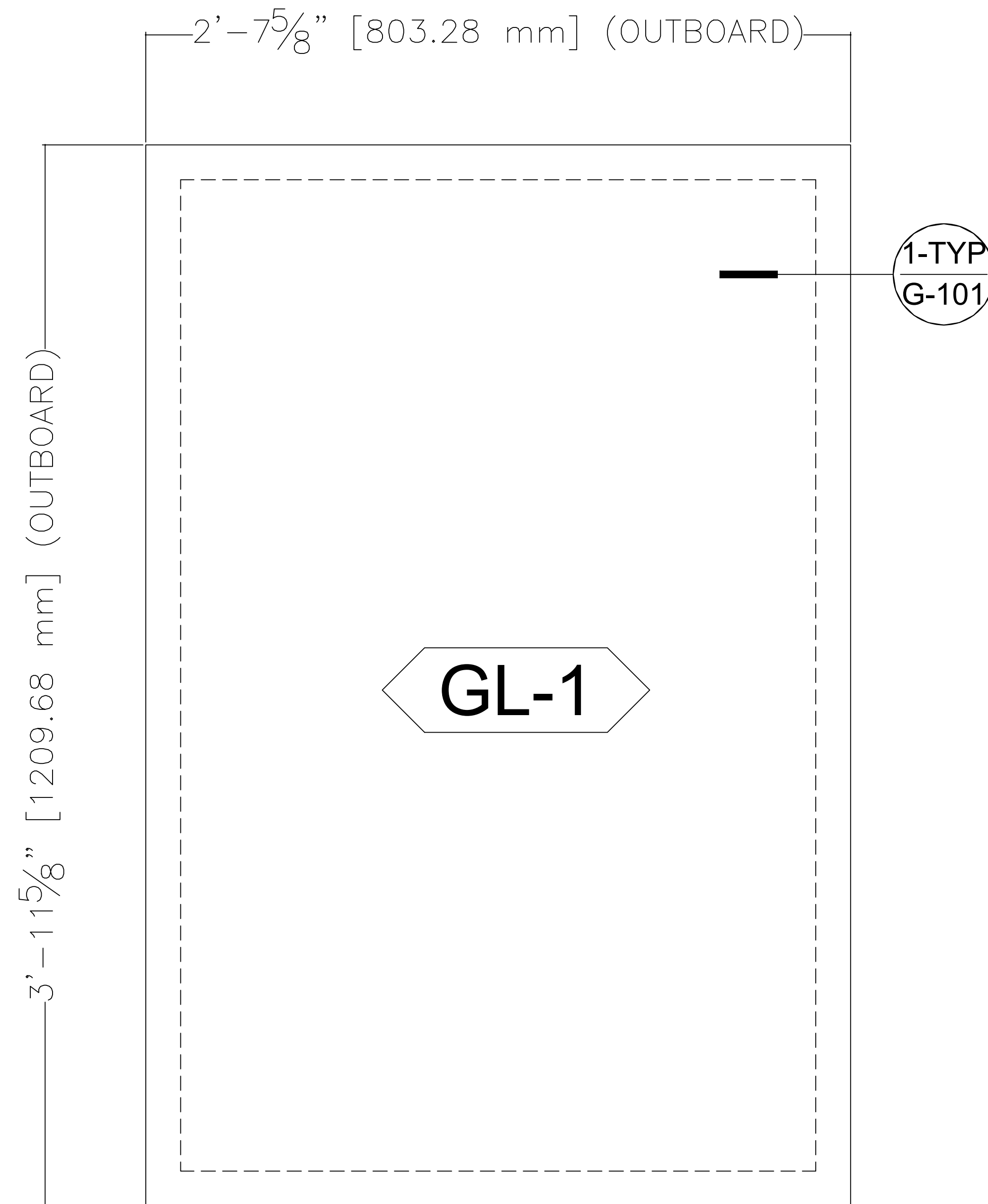
**DETAIL - SKYFLOOR® MODULAR GLASS DECK PERIMETER**

**SUPPORT DECK FRAMING  
SHOWN FOR EXAMPLE ONLY  
PLEASE REFER TO DECK BUILDER FOR  
ACCURATE FRAMING DETAIL**

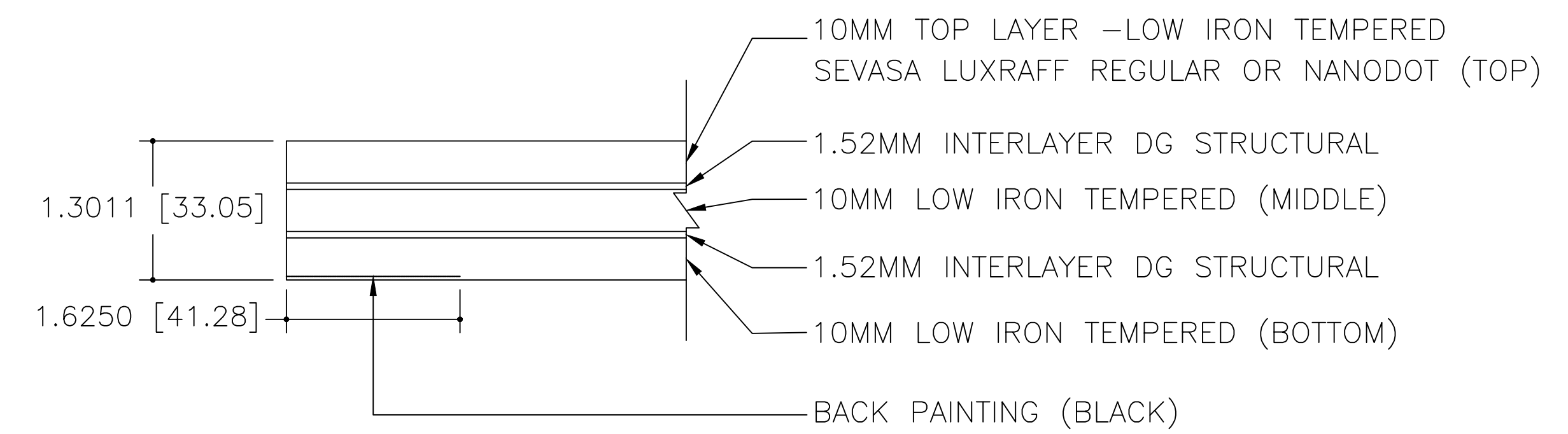
MANUFACTURER		Glass Flooring Systems, Inc. 6 Aaron Way Sparta, NJ 07871	
PROJECT		SkyFloor® Modular Glass Deck System - 32X48	
ALL ELEVATIONS ARE VIEWED FROM EXTERIOR / NOT TO SCALE			
DRAWN	DATE	GFS32X48LR & GFS32X48ND	S-104
GFS	11/22/22		6 of 7

# 32X48 INDIVIDUAL UNIT

## GFS32X48LR AND GFS32X48ND



PLAN VIEW - INDIVIDUAL UNIT A GLASS (QTY 1)



DETAIL - GLASS ASSEMBLY

### GLASS TEXTURES

- LUXRAFF® REGULAR
- NANODOT®