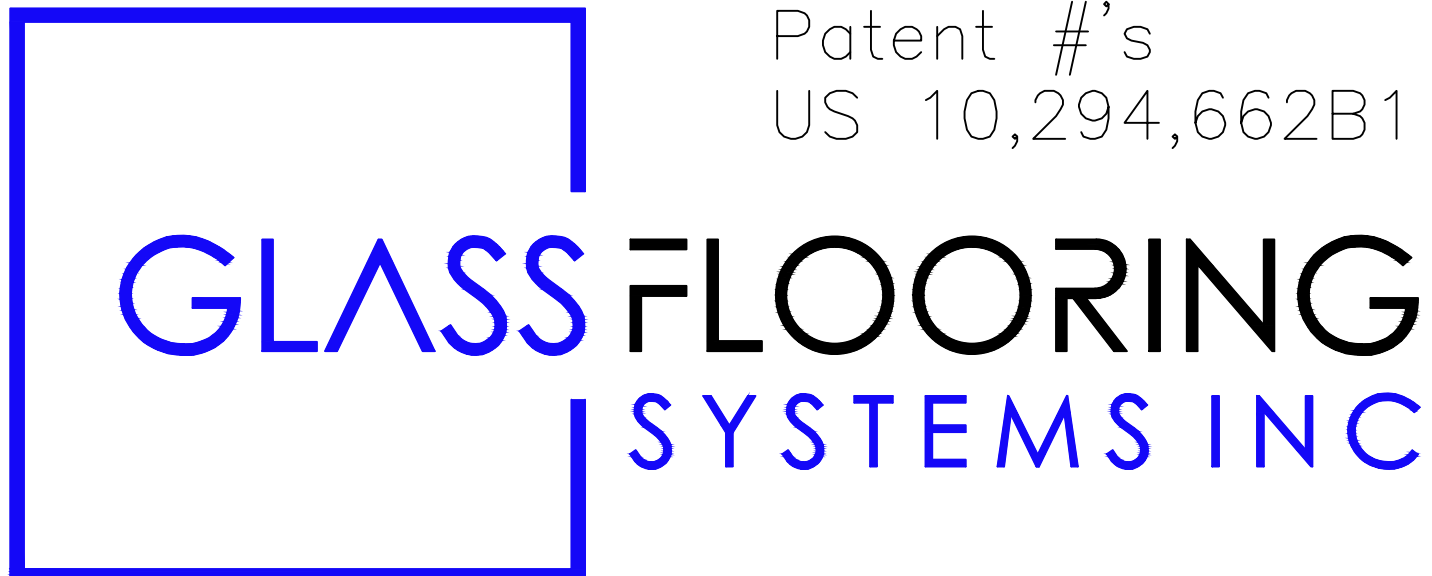


SKYFLOORTM

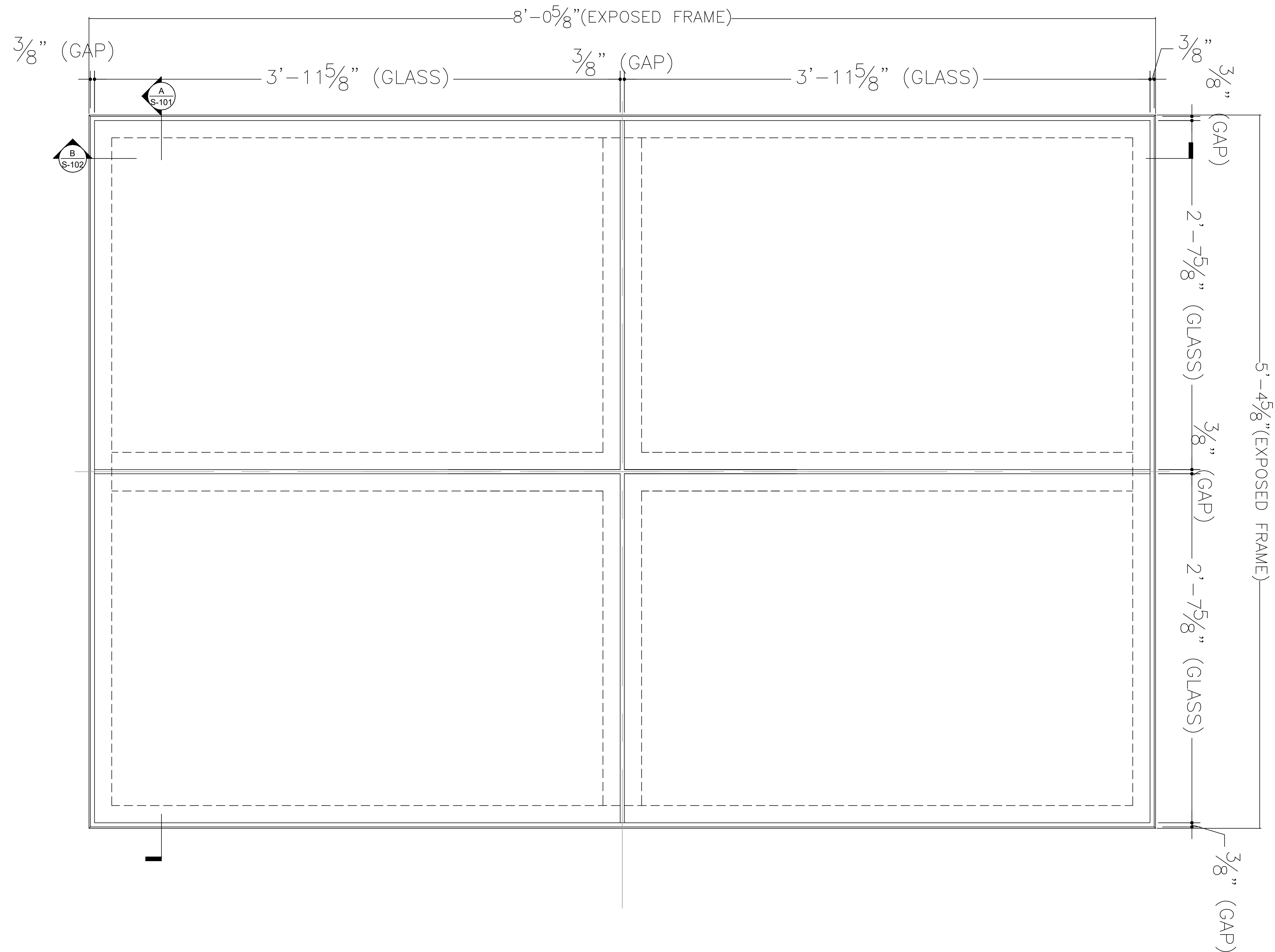
walkable skylights

SkyFloor® Modular Glass Deck System

Glass Make-up	General Notes	Frame Components				
<p>Glazing Option A: 10mm top layer - Low Iron Tempered LuxRaff Regular (Top) 1.52mm interlayer DG Structural 10mm middle layer - Low Iron Tempered (Middle) 1.52mm interlayer DG Structural 10mm bottom layer - Low Iron Tempered with back painted border (Bottom)</p> <p>Glazing Option B: 10mm top layer - Low Iron Tempered NanoDot (Top) 1.52mm interlayer DG Structural 10mm middle layer - Low Iron Tempered (Middle) 1.52mm interlayer DG Structural 10mm bottom layer - Low Iron Tempered with back painted border (Bottom)</p>	<p>A. These drawings are the sole property of Glass Flooring Systems, Inc. and may not be used or duplicated without written consent from Glass Flooring Systems, Inc. Glass Flooring Systems, Inc. assumes no responsibility for work and or errors incurred by other trades through the use of these drawings.</p> <p>B. All items marked "by others" are not supplied by Glass Flooring Systems, Inc. and are shown for coordination and informational purposes only.</p> <p>C. Perimeter anchors, shims, backer rod, finish sealants and installation are the responsibility of the installer. Glass Flooring Systems, Inc. shall not accept any responsibility for such materials.</p> <p>D. Standard spacing between glass panels and between glass panels and frame are 3/8"</p> <p>E. User subject to "Terms and Conditions" in the user agreement for all products provided by Glass Flooring Systems Incorporate.</p>	<p>Perimeter Frame Type</p> <p>SkyFloor® Modular Glass Deck (Perimeter)</p> <p>Cross Beam Type</p> <p>3.5" SkyFloor® Modular Glass Deck (Flat Rafter Extrusion)</p>				
 <p>Patent #'s US 10,294,662B1</p>	<p style="text-align: center;">64" x 96" Individual GFS64X96LR & GFS64X96ND</p>	<p>Frame Finish</p> <p>Standard Black</p> <p><small>MANUFACTURER</small> Glass Flooring Systems, Inc. 6 Aaron Way Sparta, NJ 07871</p> <p><small>PROJECT</small> SkyFloor® Modular Glass Deck System - 64X96</p> <p style="text-align: center;"><small>ALL ELEVATIONS ARE VIEWED FROM EXTERIOR / NOT TO SCALE</small></p> <table border="1" style="width: 100%; border-collapse: collapse;"> <tr> <td style="width: 20%;"><small>DRAWN</small> GFS</td> <td style="width: 20%;"><small>DATE</small> 11/22/22</td> <td style="width: 60%;">GFS64X96LR & GFS64X96ND</td> <td style="width: 10%;"><small>SHEET</small> 1 of 8</td> </tr> </table>	<small>DRAWN</small> GFS	<small>DATE</small> 11/22/22	GFS64X96LR & GFS64X96ND	<small>SHEET</small> 1 of 8
<small>DRAWN</small> GFS	<small>DATE</small> 11/22/22	GFS64X96LR & GFS64X96ND	<small>SHEET</small> 1 of 8			

64X96 INDIVIDUAL UNIT

GFS64X96LR AND GFS64X96ND

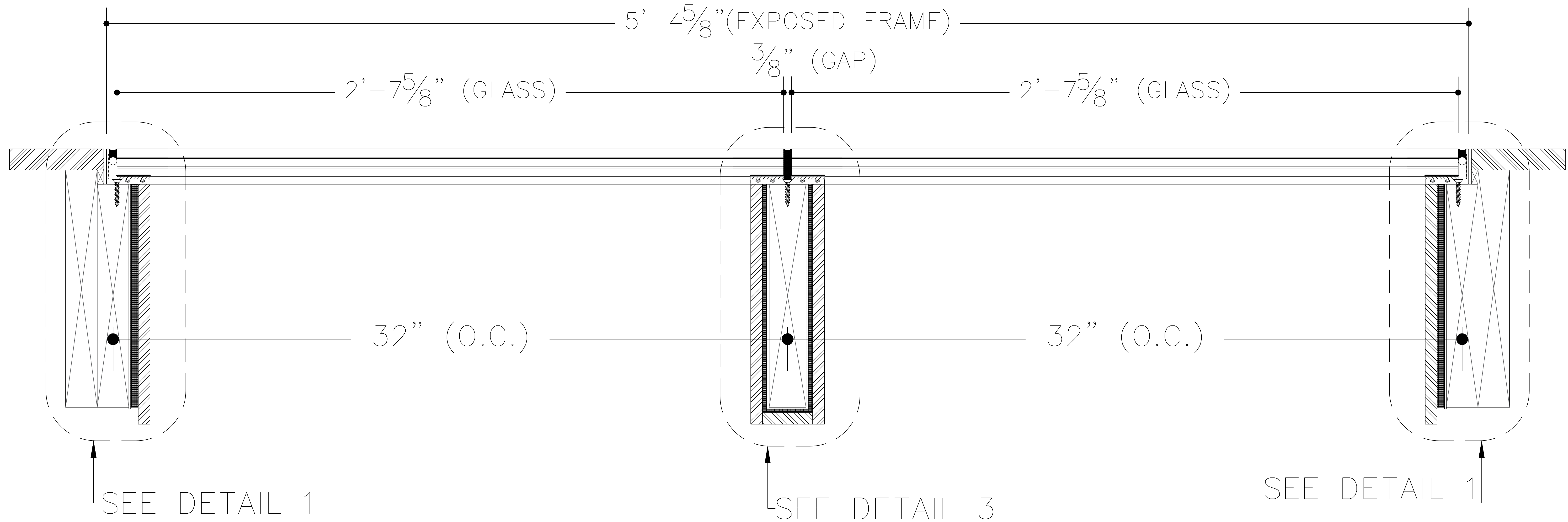


PLAN VIEW - INDIVIDUAL UNIT A

MANUFACTURER		Glass Flooring Systems, Inc. 6 Aaron Way Sparta, NJ 07871	
PROJECT		SkyFloor® Modular Glass Deck System - 64X96	
ALL ELEVATIONS ARE VIEWED FROM EXTERIOR / NOT TO SCALE			
DRAWN	DATE	GFS64X96LR & GFS64X96ND P-101	SHEET 2 of 8
GFS	11/22/22		

64X96 INDIVIDUAL UNIT

GFS64X96LR AND GFS64X96ND



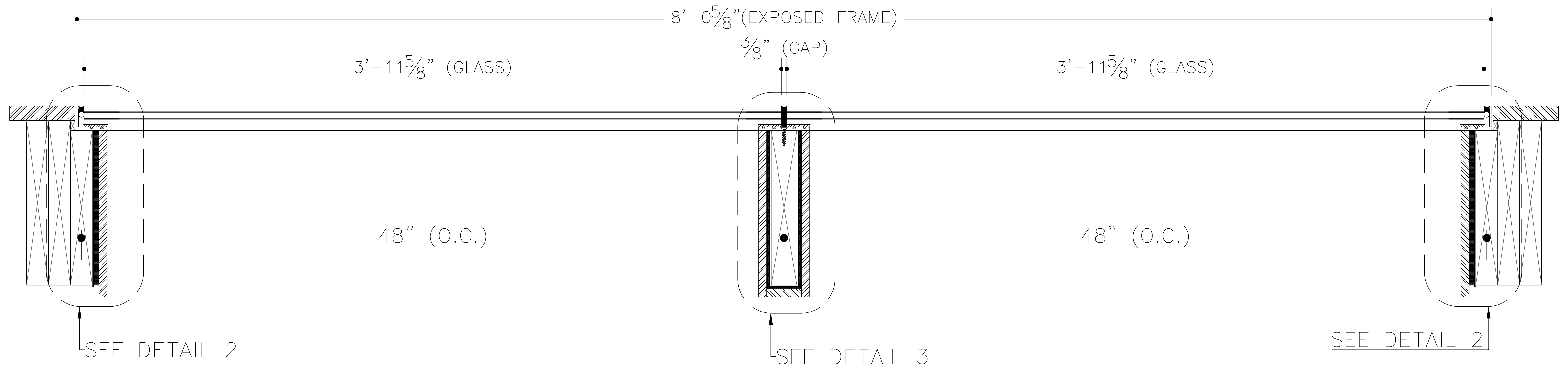
SECTION A - INDIVIDUAL UNIT A

SUPPORT DECK FRAMING
 SHOWN FOR EXAMPLE ONLY
 PLEASE REFER TO DECK BUILDER FOR
 ACCURATE FRAMING DETAIL

MANUFACTURER		Glass Flooring Systems, Inc. 6 Aaron Way Sparta, NJ 07871	
PROJECT		SkyFloor® Modular Glass Deck System - 64X96	
ALL ELEVATIONS ARE VIEWED FROM EXTERIOR / NOT TO SCALE			
DRAWN	DATE	GFS64X96LR & GFS64X96ND	S-101
GFS	11/22/22		3 of 8

64X96 INDIVIDUAL UNIT

GFS64X96LR AND GFS64X96ND



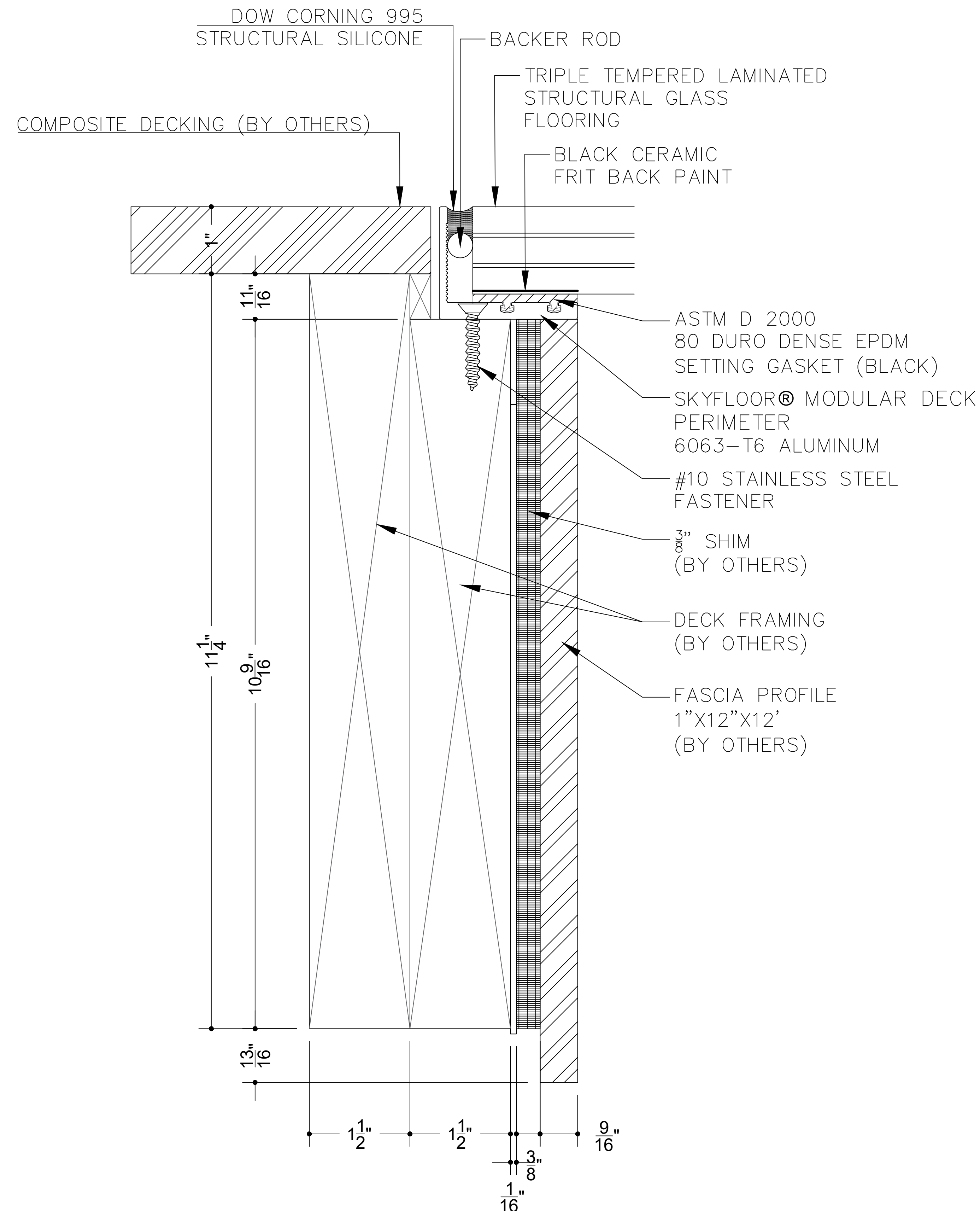
SECTION B - INDIVIDUAL UNIT A

SUPPORT DECK FRAMING
 SHOWN FOR EXAMPLE ONLY
 PLEASE REFER TO DECK BUILDER FOR
 ACCURATE FRAMING DETAIL

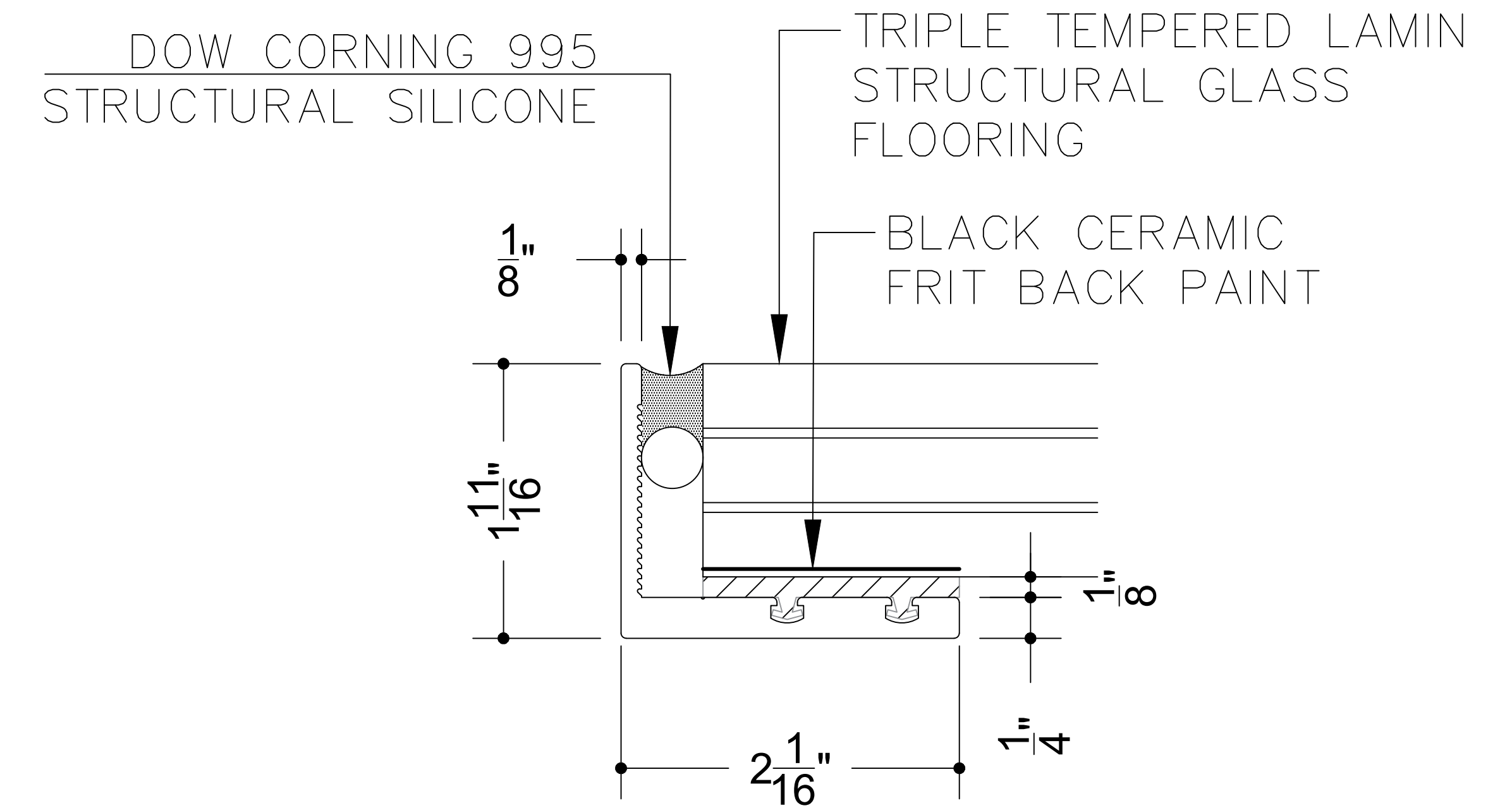
MANUFACTURER		Glass Flooring Systems, Inc. 6 Aaron Way Sparta, NJ 07871	
PROJECT		SkyFloor® Modular Glass Deck System - 64X96	
ALL ELEVATIONS ARE VIEWED FROM EXTERIOR / NOT TO SCALE			
DRAWN	DATE	GFS64X96LR & GFS64X96ND	S-102
GFS	11/22/22		4 of 8

64X96 INDIVIDUAL UNIT

GFS64X96LR AND GFS64X96ND



DETAIL 1 - SKYFLOOR® MODULAR GLASS DECK PERIMETER



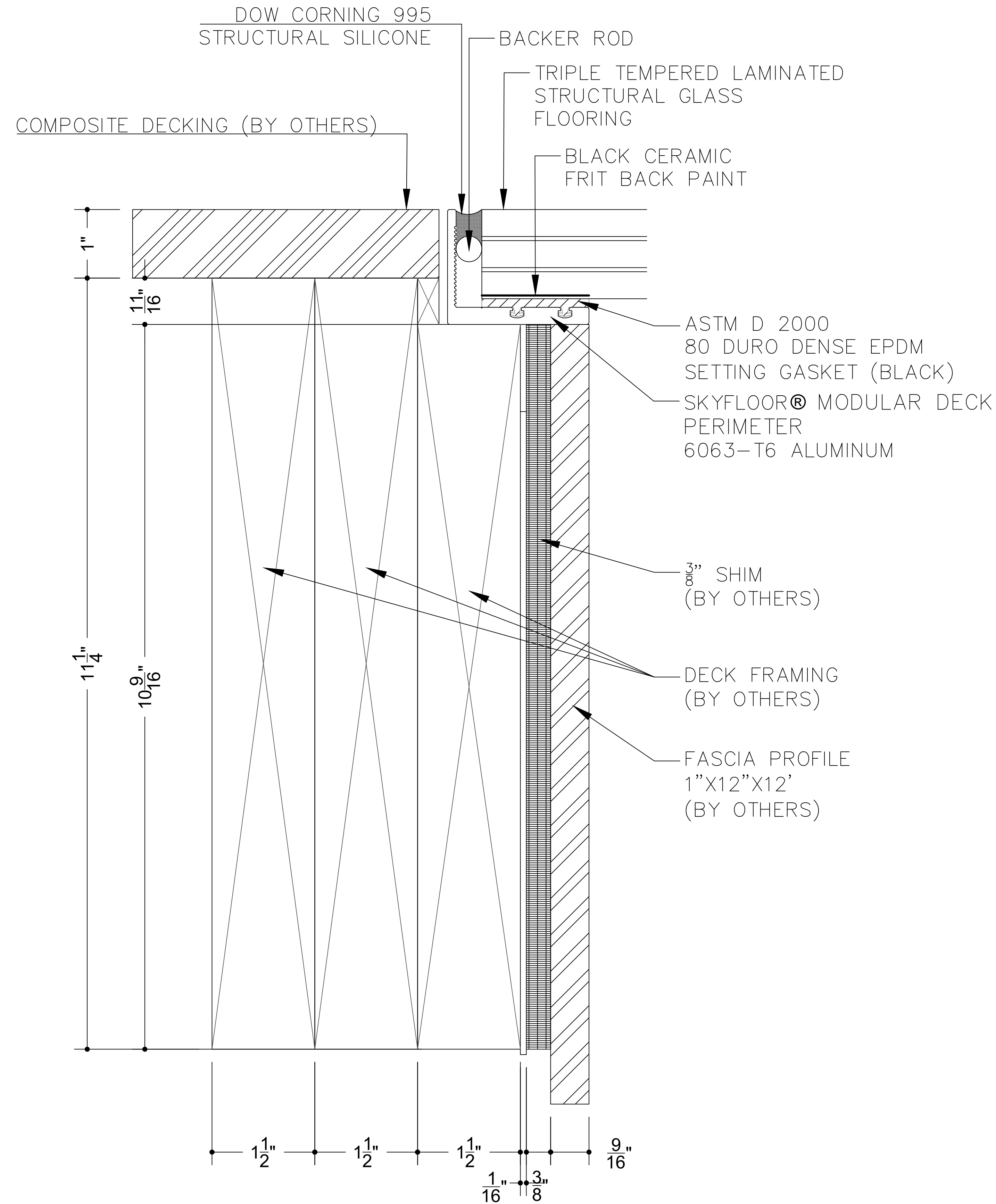
DETAIL - SKYFLOOR® MODULAR GLASS DECK PERIMETER

**SUPPORT DECK FRAMING
SHOWN FOR EXAMPLE ONLY
PLEASE REFER TO DECK BUILDER FOR
ACCURATE FRAMING DETAIL**

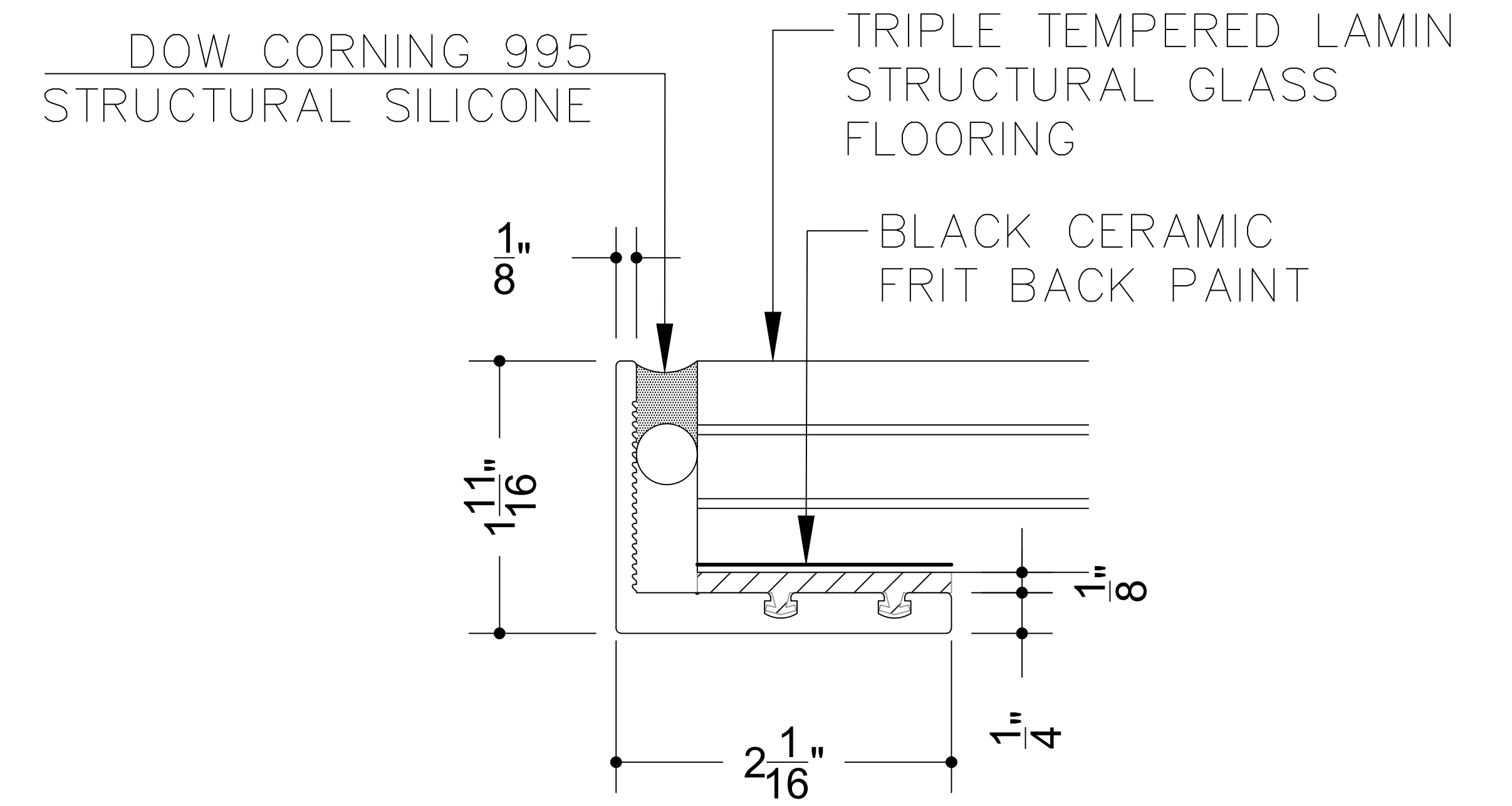
MANUFACTURER		Glass Flooring Systems, Inc. 6 Aaron Way Sparta, NJ 07871	
PROJECT		SkyFloor® Modular Glass Deck System - 64X96	
ALL ELEVATIONS ARE VIEWED FROM EXTERIOR / NOT TO SCALE			
DRAWN	DATE	GFS64X96LR & GFS64X96ND	S-103
GFS	11/22/22		SHEET 5 of 8

64X96 INDIVIDUAL UNIT

GFS64X96LR AND GFS64X96ND



DETAIL 2 - SKYFLOOR® MODULAR GLASS DECK PERIMETER



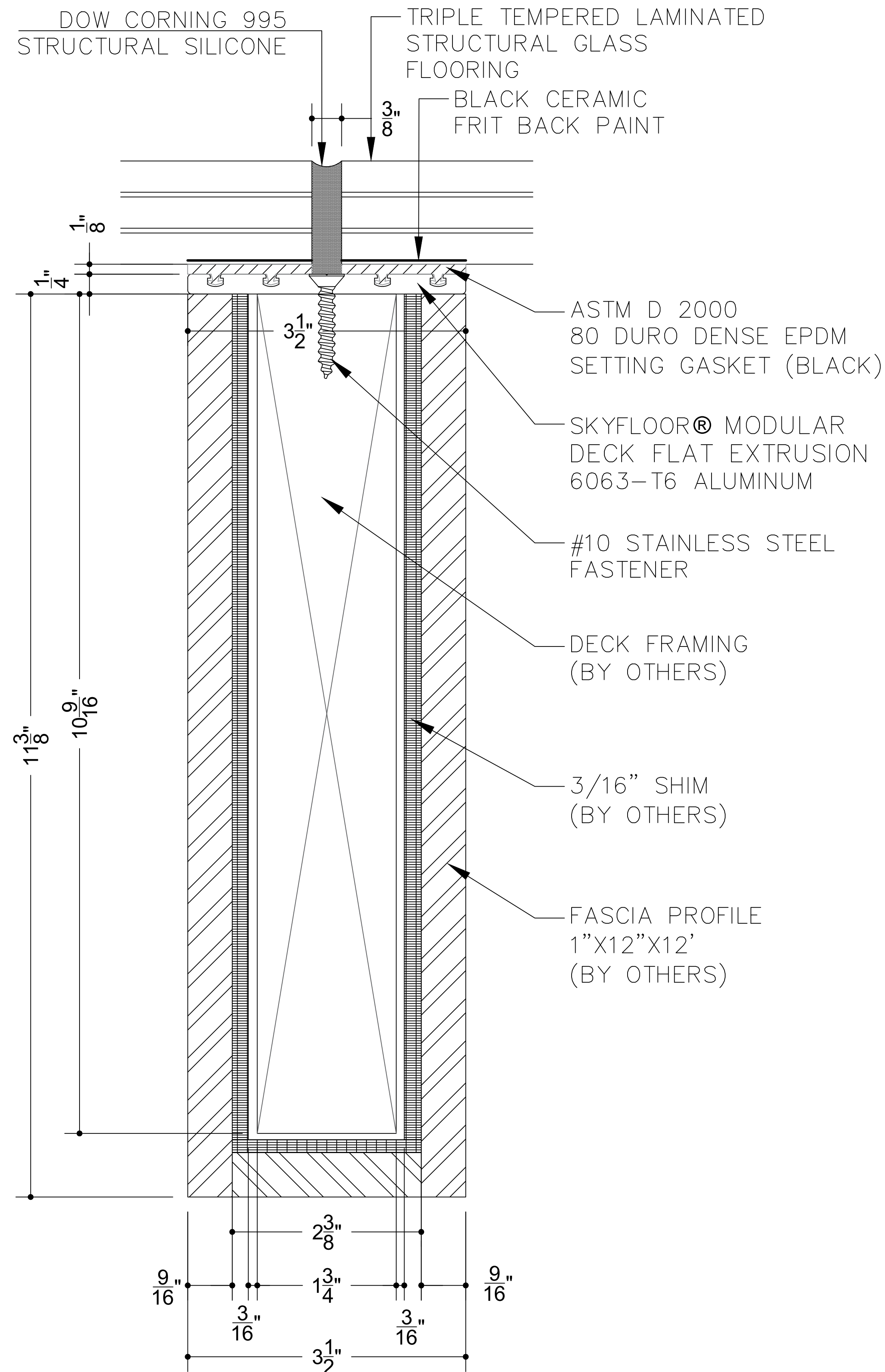
DETAIL 1 - SKYFLOOR® MODULAR GLASS DECK PERIMETER

**SUPPORT DECK FRAMING
SHOWN FOR EXAMPLE ONLY
PLEASE REFER TO DECK BUILDER FOR
ACCURATE FRAMING DETAIL**

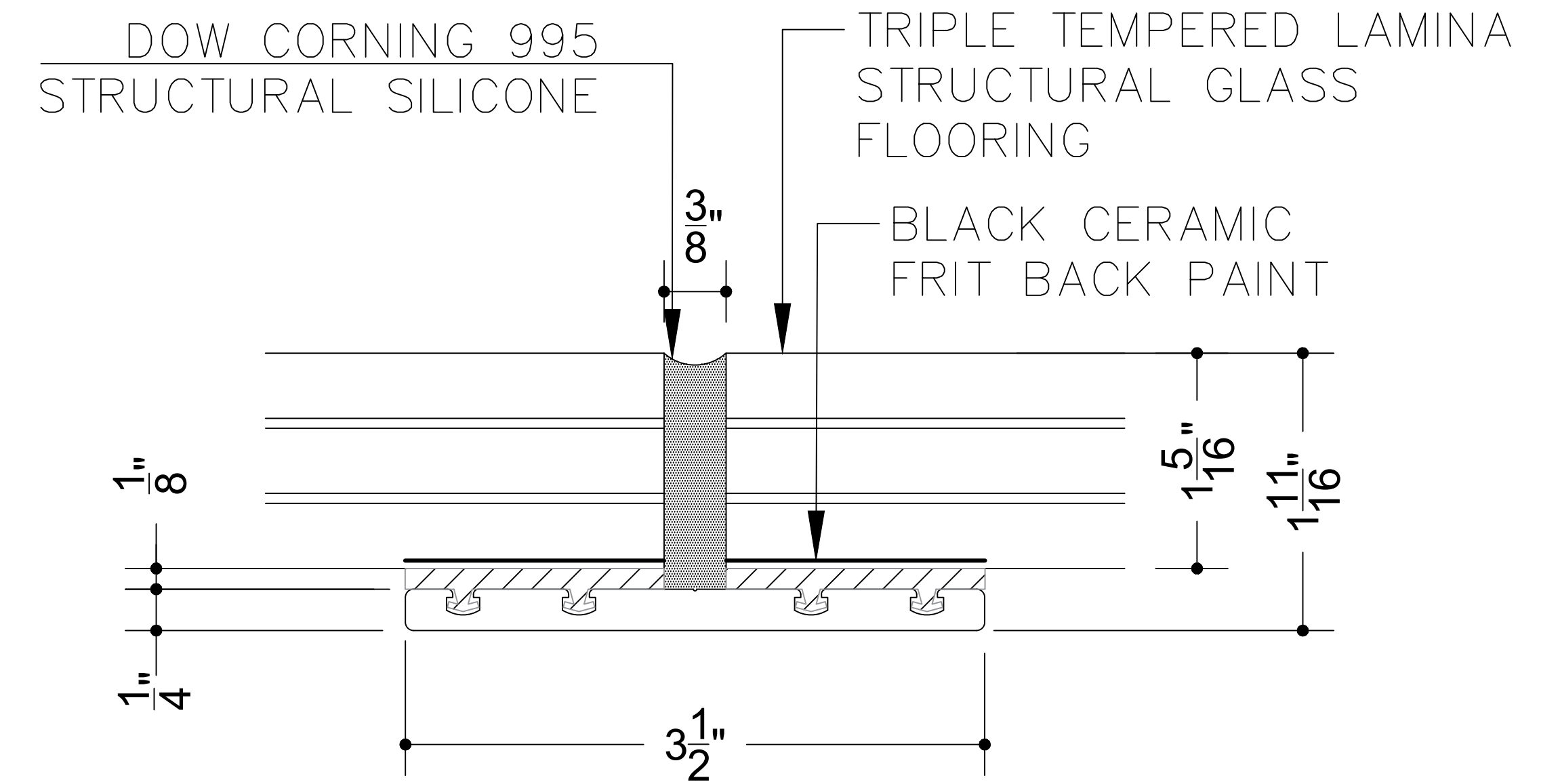
MANUFACTURER		Glass Flooring Systems, Inc. 6 Aaron Way Sparta, NJ 07871	
PROJECT		SkyFloor® Modular Glass Deck System - 64X96	
ALL ELEVATIONS ARE VIEWED FROM EXTERIOR / NOT TO SCALE			
DRAWN	DATE	GFS64X96LR & GFS64X96ND	S-104
GFS	11/22/22		6 of 8

64X96 INDIVIDUAL UNIT

GFS64X96LR AND GFS64X96ND



**DETAIL 3 - SKYFLOOR® MODULAR GLASS DECK
FLAT RAFTER EXTRUSION WITH
EDPM SETTING GASKET**



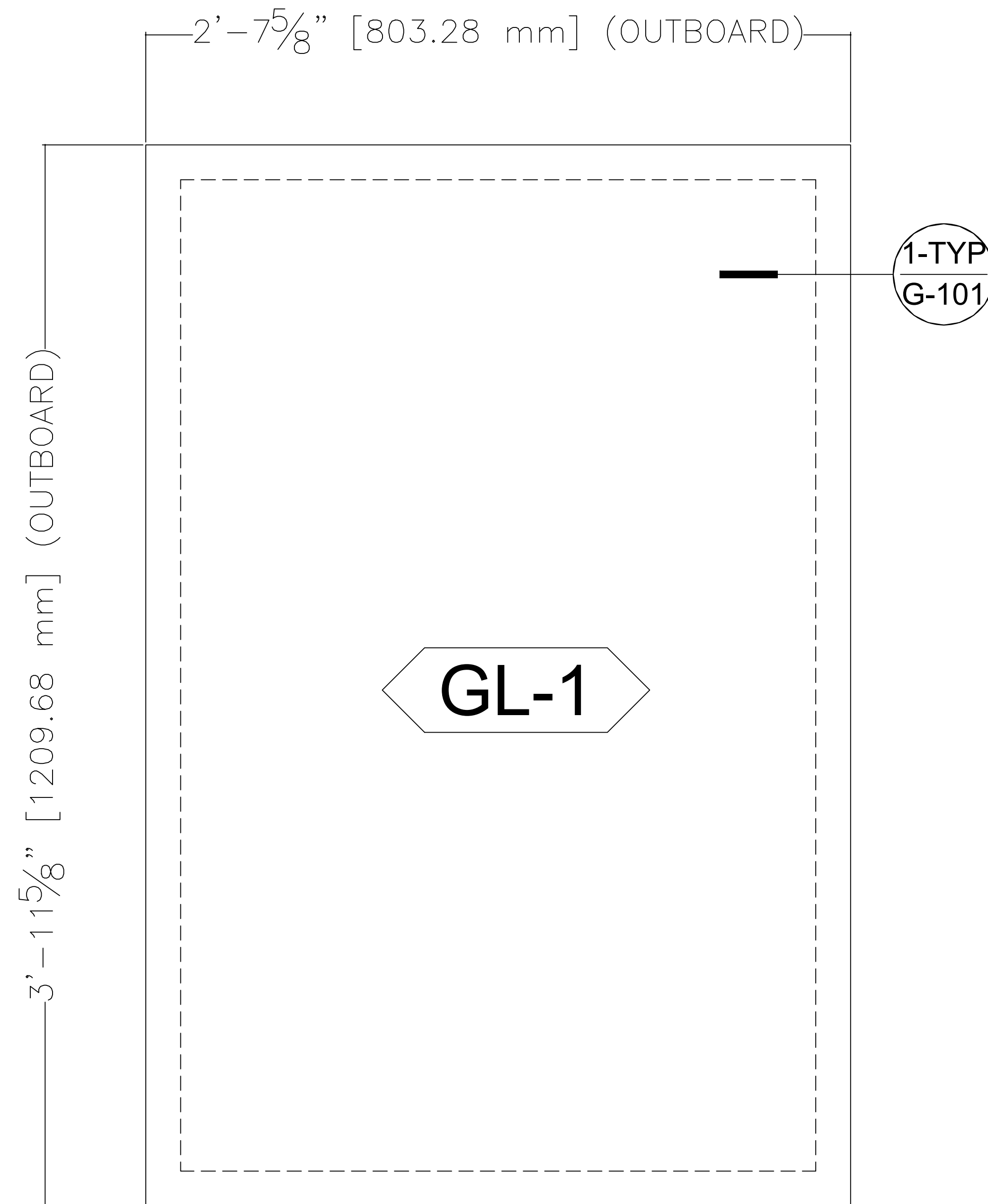
**DETAIL - SKYFLOOR® MODULAR GLASS DECK
FLAT RAFTER EXTRUSION WITH
EDPM SETTING GASKET**

**SUPPORT DECK FRAMING
SHOWN FOR EXAMPLE ONLY
PLEASE REFER TO DECK BUILDER FOR
ACCURATE FRAMING DETAIL**

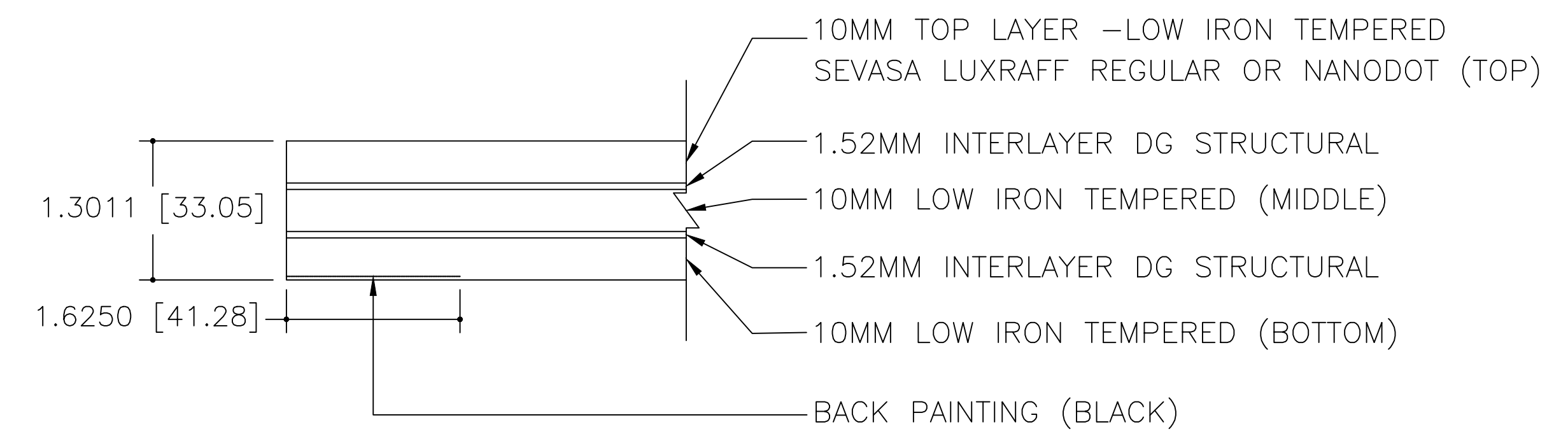
MANUFACTURER		Glass Flooring Systems, Inc. 6 Aaron Way Sparta, NJ 07871	
PROJECT		SkyFloor® Modular Glass Deck System - 64X96	
ALL ELEVATIONS ARE VIEWED FROM EXTERIOR / NOT TO SCALE			
DRAWN	DATE	GFS64X96LR & GFS64X96ND	S-105
GFS	11/22/22		7 of 8

64X96 INDIVIDUAL UNIT

GFS64X96LR AND GFS64X96ND



PLAN VIEW - INDIVIDUAL UNIT A GLASS (QTY 4)



DETAIL - GLASS ASSEMBLY

GLASS TEXTURES

- LUXRAFF® REGULAR
- NANODOT®