

# SKYFLOOR<sup>TM</sup>

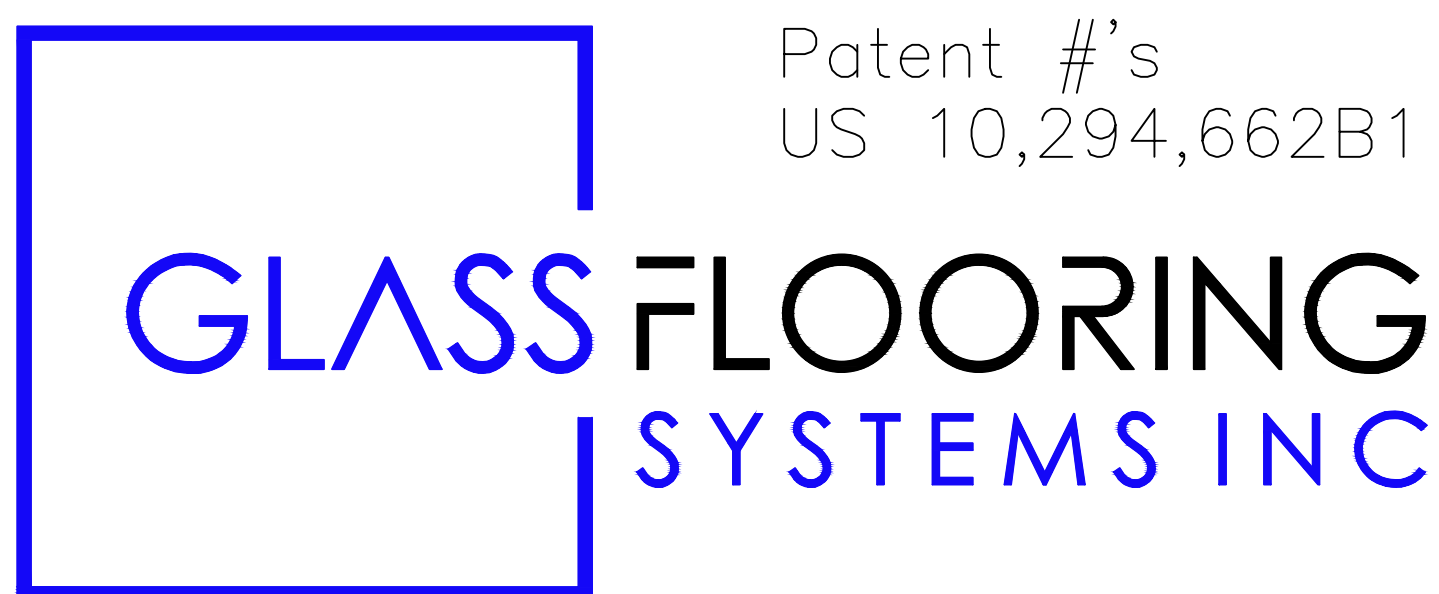
walkable skylights

## SkyFloor® Modular Glass Deck System

### Glass Make-up

**Glazing Option A:**  
 10mm top layer - Low Iron Tempered LuxRaff Regular (Top)  
 1.52mm interlayer DG Structural  
 10mm middle layer - Low Iron Tempered (Middle)  
 1.52mm interlayer DG Structural  
 10mm bottom layer - Low Iron Tempered with back painted border (Bottom)

**Glazing Option B:**  
 10mm top layer - Low Iron Tempered NanoDot (Top)  
 1.52mm interlayer DG Structural  
 10mm middle layer - Low Iron Tempered (Middle)  
 1.52mm interlayer DG Structural  
 10mm bottom layer - Low Iron Tempered with back painted border (Bottom)



### General Notes

- A. These drawings are the sole property of Glass Flooring Systems, Inc. and may not be used or duplicated without written consent from Glass Flooring Systems, Inc. Glass Flooring Systems, Inc. assumes no responsibility for work and or errors incurred by other trades through the use of these drawings.
- B. All items marked "by others" are not supplied by Glass Flooring Systems, Inc. and are shown for coordination and informational purposes only.
- C. Perimeter anchors, shims, backer rod, finish sealants and installation are the responsibility of the installer. Glass Flooring Systems, Inc. shall not accept any responsibility for such materials.
- D. Standard spacing between glass panels and between glass panels and frame are 3/8"
- E. User subject to "Terms and Conditions" in the user agreement for all products provided by Glass Flooring Systems Incorporate.

96" x 96" Individual  
 GFS96X96LR &  
 GFS96X96ND

### Frame Components

#### Perimeter Frame Type

SkyFloor® Modular Glass Deck (Perimeter)

#### Cross Beam Type

3.5" SkyFloor® Modular Glass Deck (Flat Rafter Extrusion)

#### Frame Finish

Standard Black

MANUFACTURER Glass Flooring Systems, Inc.  
 6 Aaron Way  
 Sparta, NJ 07871

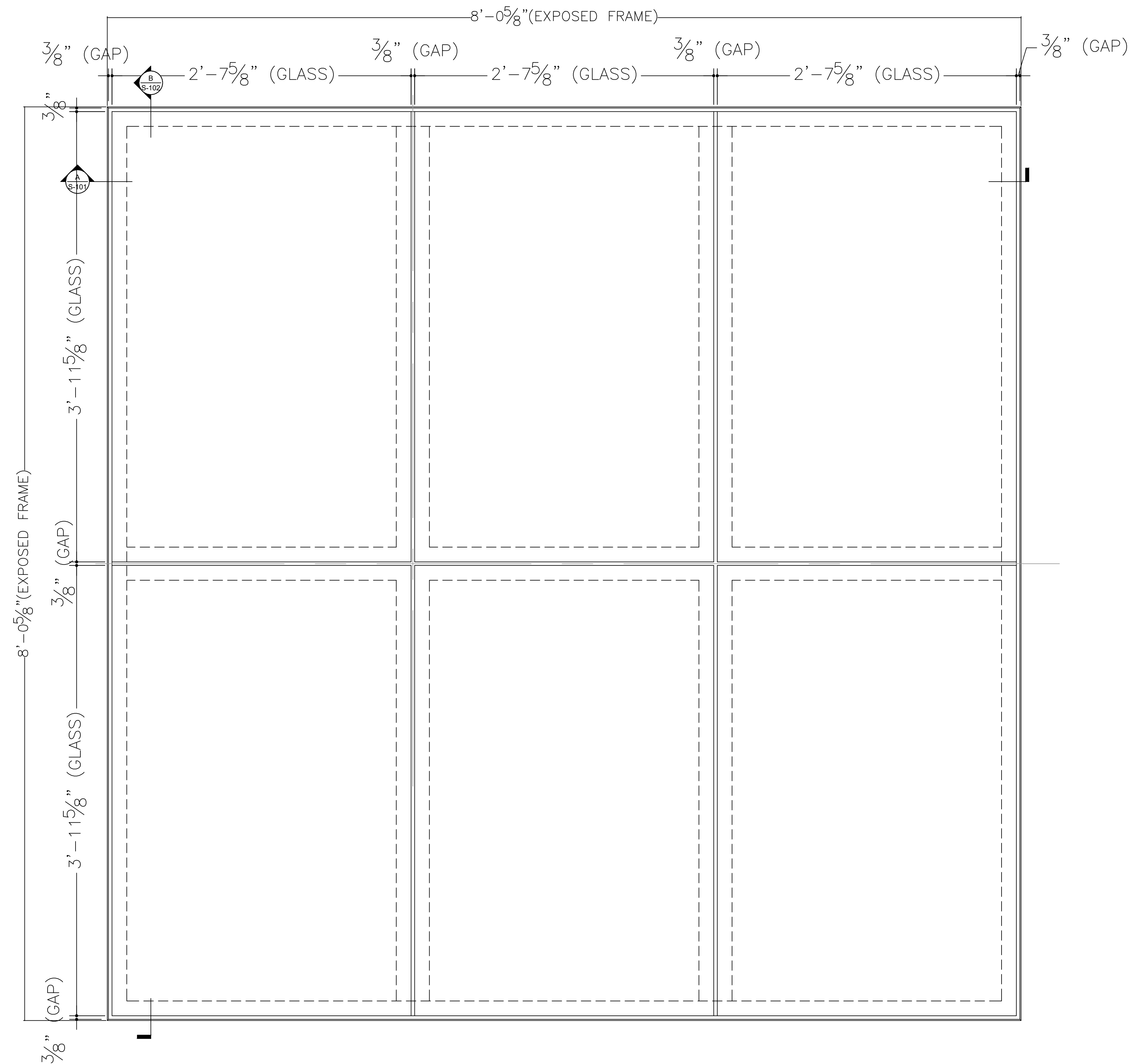
PROJECT SkyFloor® Modular Glass Deck System - 96X96

ALL ELEVATIONS ARE VIEWED FROM EXTERIOR / NOT TO SCALE

DRAWN	DATE		SHEET
GFS	11/22/22	GFS96X96LR & GFS96X96ND	1 of 8

# 96X96 INDIVIDUAL UNIT

## GFS96X96LR AND GFS96X96ND

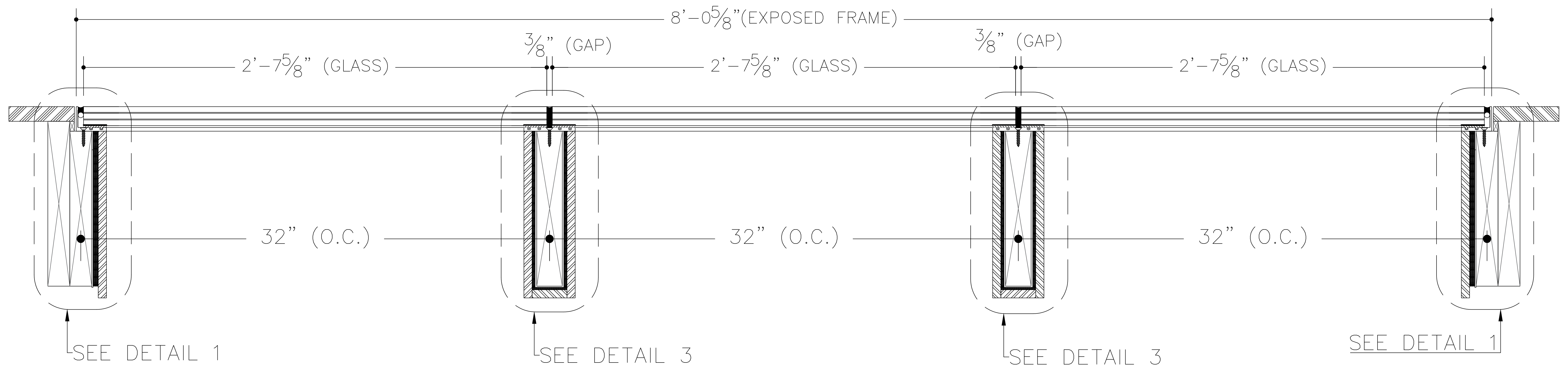


PLAN VIEW - INDIVIDUAL UNIT A

MANUFACTURER		Glass Flooring Systems, Inc. 6 Aaron Way Sparta, NJ 07871	
PROJECT		SkyFloor® Modular Glass Deck System - 96X96	
ALL ELEVATIONS ARE VIEWED FROM EXTERIOR / NOT TO SCALE			
DRAWN	DATE	GFS96X96LR & GFS96X96ND P-101	SHEET
GFS	11/22/22		2 of 8

# 96X96 INDIVIDUAL UNIT

## GFS96X96LR AND GFS96X96ND



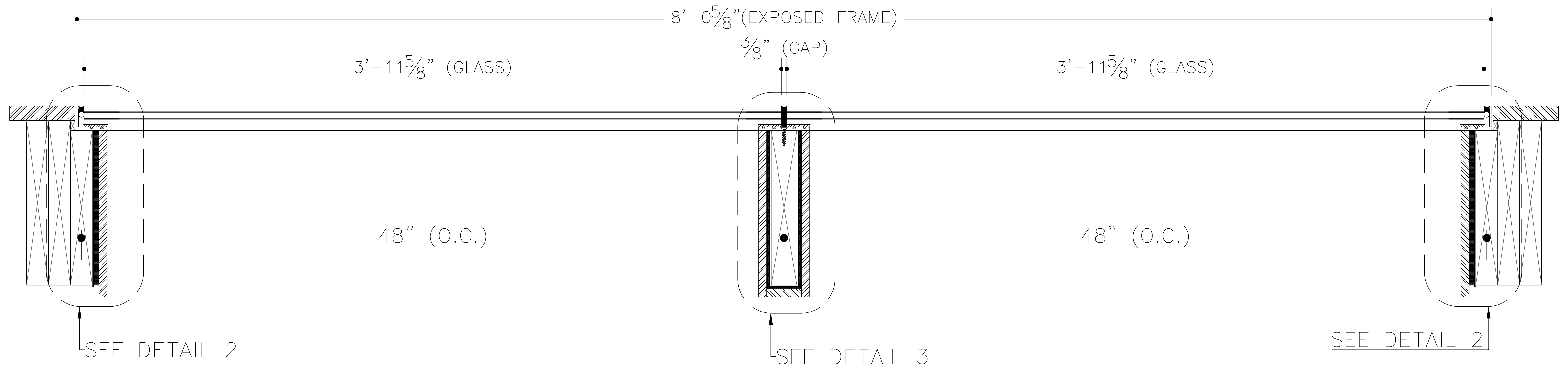
SECTION A - INDIVIDUAL UNIT A

**SUPPORT DECK FRAMING  
SHOWN FOR EXAMPLE ONLY  
PLEASE REFER TO DECK BUILDER FOR  
ACCURATE FRAMING DETAIL**

MANUFACTURER		Glass Flooring Systems, Inc. 6 Aaron Way Sparta, NJ 07871	
PROJECT		SkyFloor® Modular Glass Deck System - 96X96	
ALL ELEVATIONS ARE VIEWED FROM EXTERIOR / NOT TO SCALE			
DRAWN	DATE	GFS96X96LR & GFS96X96ND	S-101
GFS	11/22/22		3 of 8

# 96X96 INDIVIDUAL UNIT

## GFS96X96LR AND GFS96X96ND



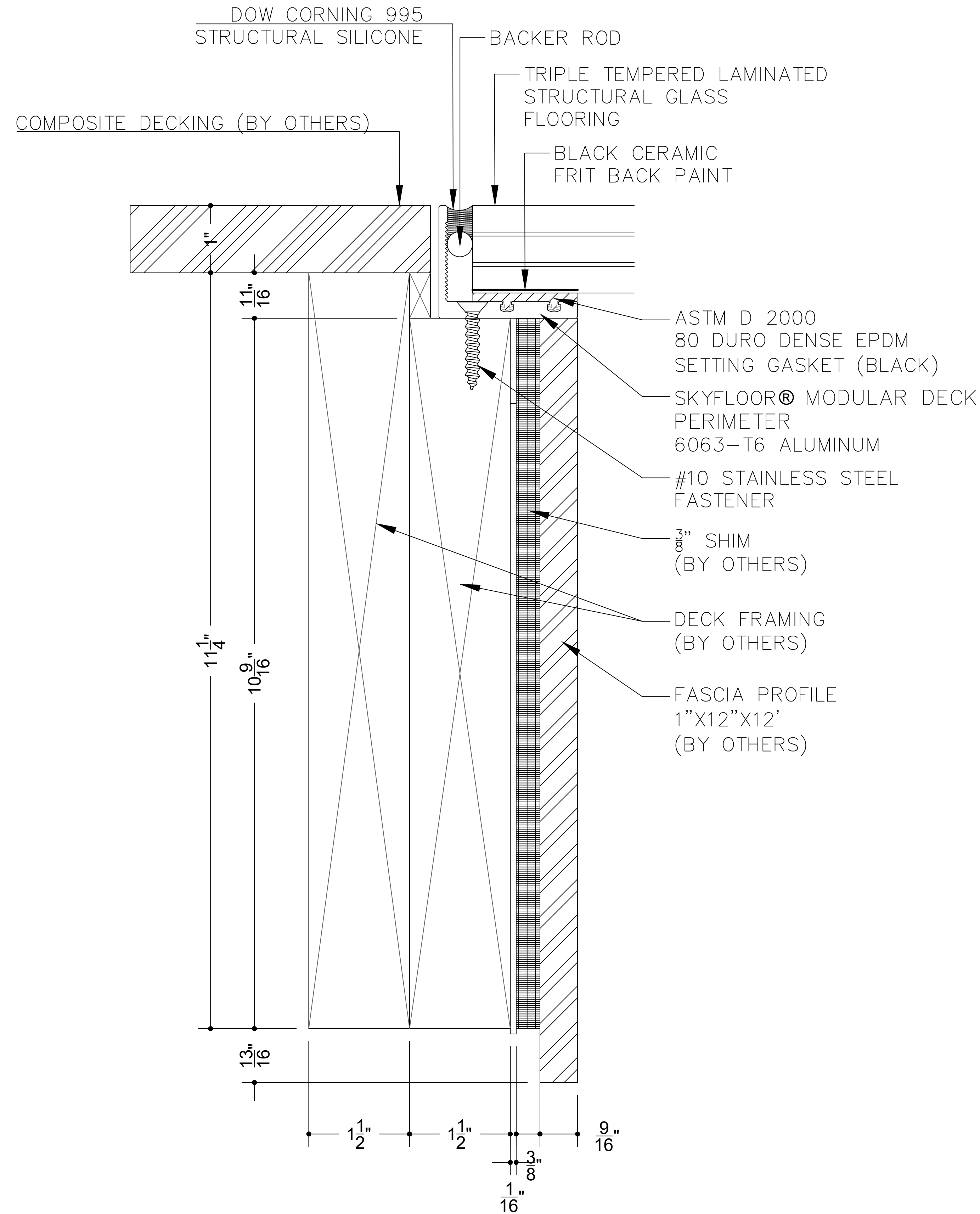
SECTION B - INDIVIDUAL UNIT A

SUPPORT DECK FRAMING  
 SHOWN FOR EXAMPLE ONLY  
 PLEASE REFER TO DECK BUILDER FOR  
 ACCURATE FRAMING DETAIL

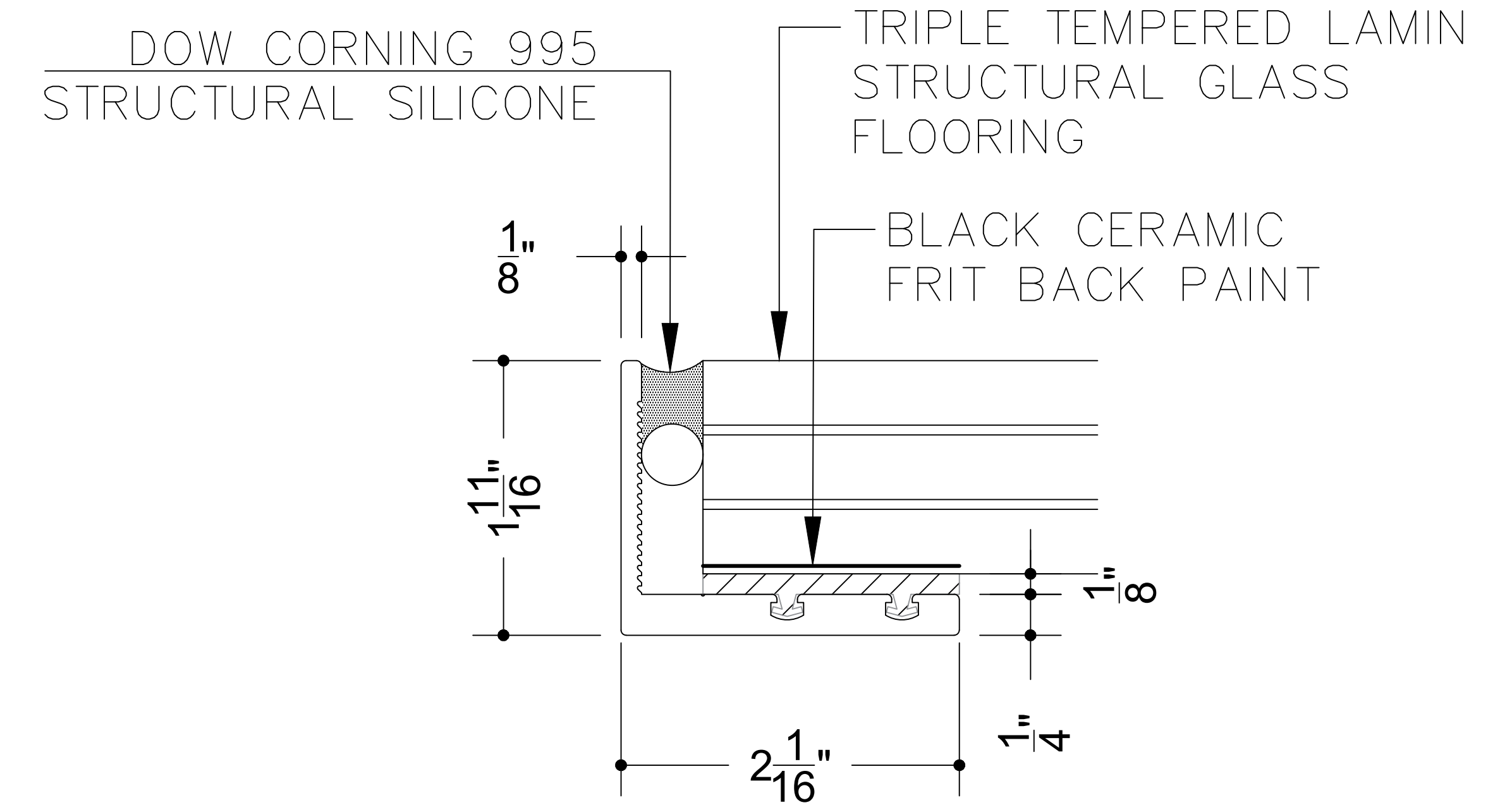
MANUFACTURER		Glass Flooring Systems, Inc. 6 Aaron Way Sparta, NJ 07871	
PROJECT		SkyFloor® Modular Glass Deck System - 96X96	
ALL ELEVATIONS ARE VIEWED FROM EXTERIOR / NOT TO SCALE			
DRAWN	DATE	GFS96X96LR & GFS96X96ND	S-102
GFS	11/22/22		4 of 8

# 96X96 INDIVIDUAL UNIT

## GFS96X96LR AND GFS96X96ND



**DETAIL 1 - SKYFLOOR® MODULAR GLASS DECK PERIMETER**



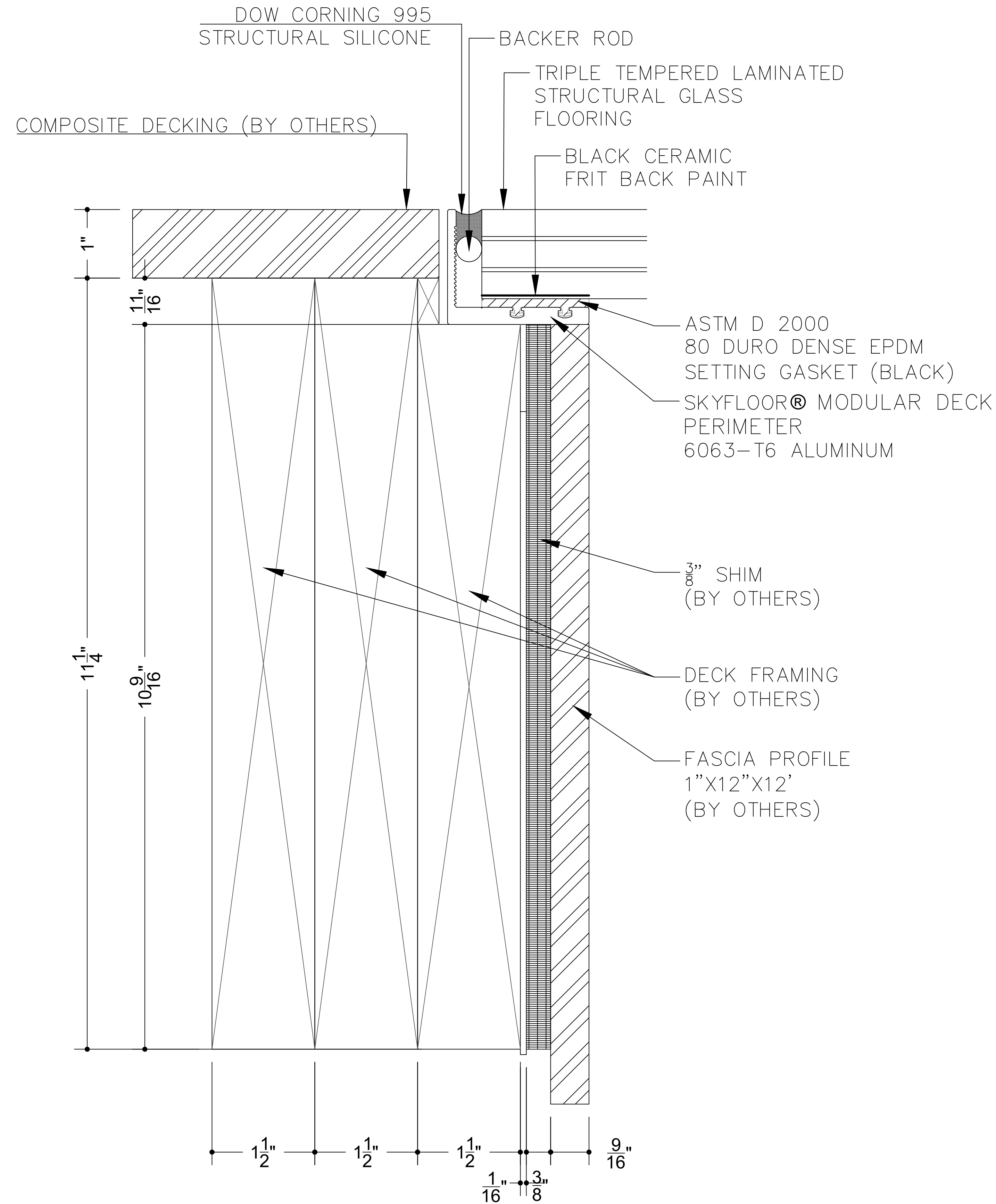
**DETAIL - SKYFLOOR® MODULAR GLASS DECK PERIMETER**

**SUPPORT DECK FRAMING  
SHOWN FOR EXAMPLE ONLY  
PLEASE REFER TO DECK BUILDER FOR  
ACCURATE FRAMING DETAIL**

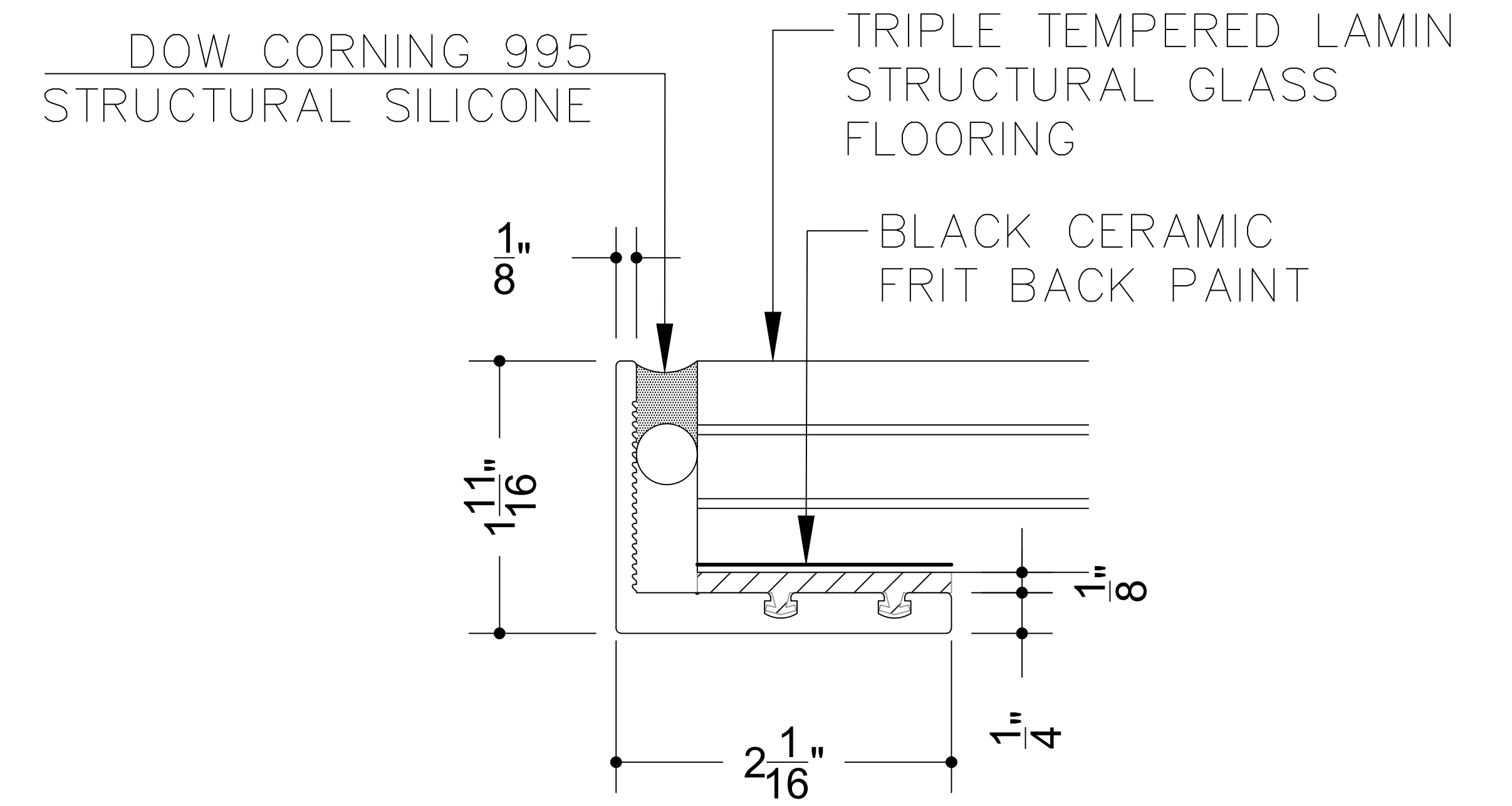
MANUFACTURER		Glass Flooring Systems, Inc. 6 Aaron Way Sparta, NJ 07871	
PROJECT		SkyFloor® Modular Glass Deck System - 96X96	
ALL ELEVATIONS ARE VIEWED FROM EXTERIOR / NOT TO SCALE			
DRAWN	DATE	GFS96X96LR & GFS96X96ND	S-103
GFS	11/22/22		5 of 8

# 96X96 INDIVIDUAL UNIT

## GFS96X96LR AND GFS96X96ND



**DETAIL 2 - SKYFLOOR® MODULAR GLASS DECK PERIMETER**



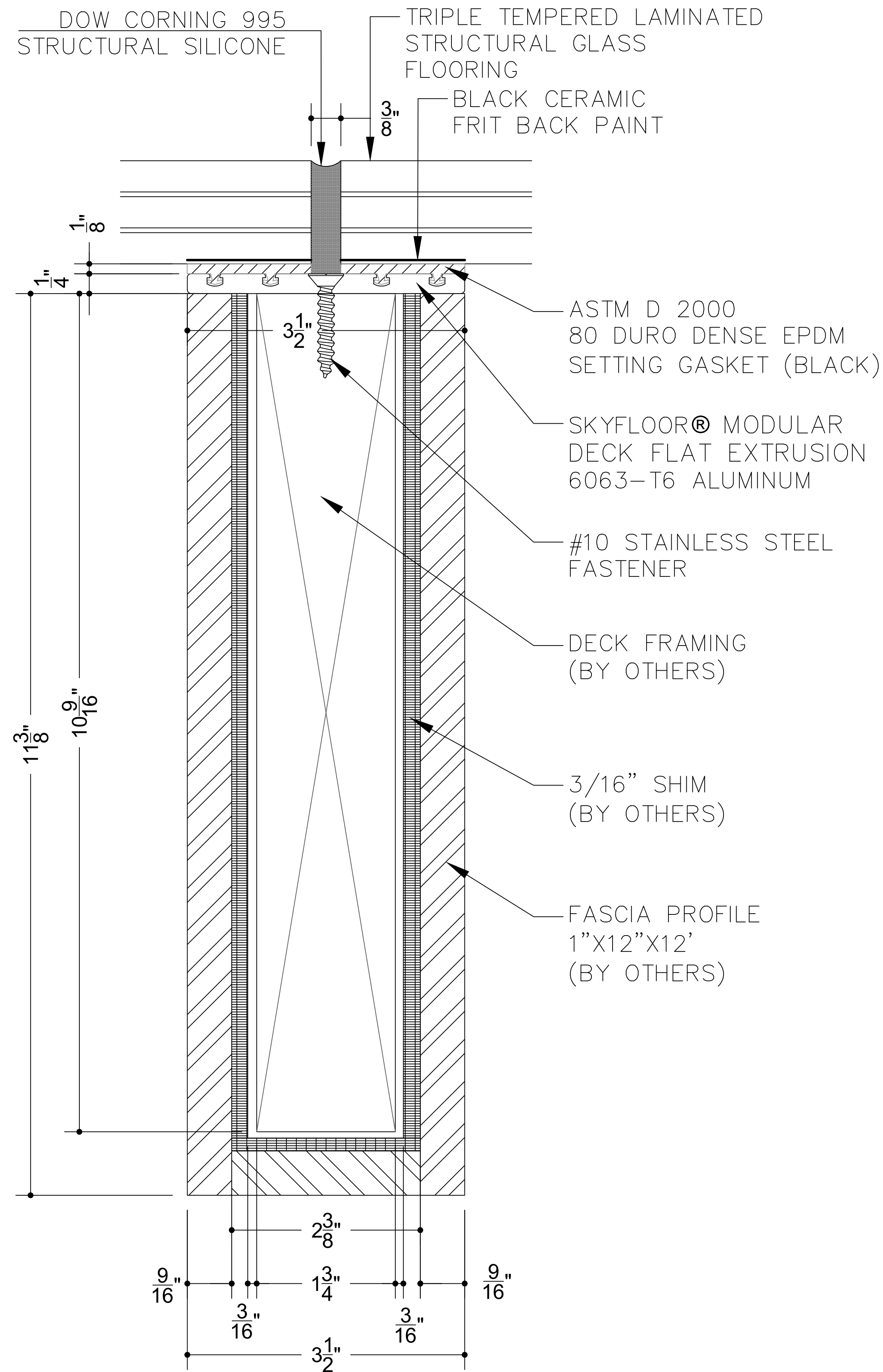
**DETAIL - SKYFLOOR® MODULAR GLASS DECK PERIMETER**

**SUPPORT DECK FRAMING  
SHOWN FOR EXAMPLE ONLY  
PLEASE REFER TO DECK BUILDER FOR  
ACCURATE FRAMING DETAIL**

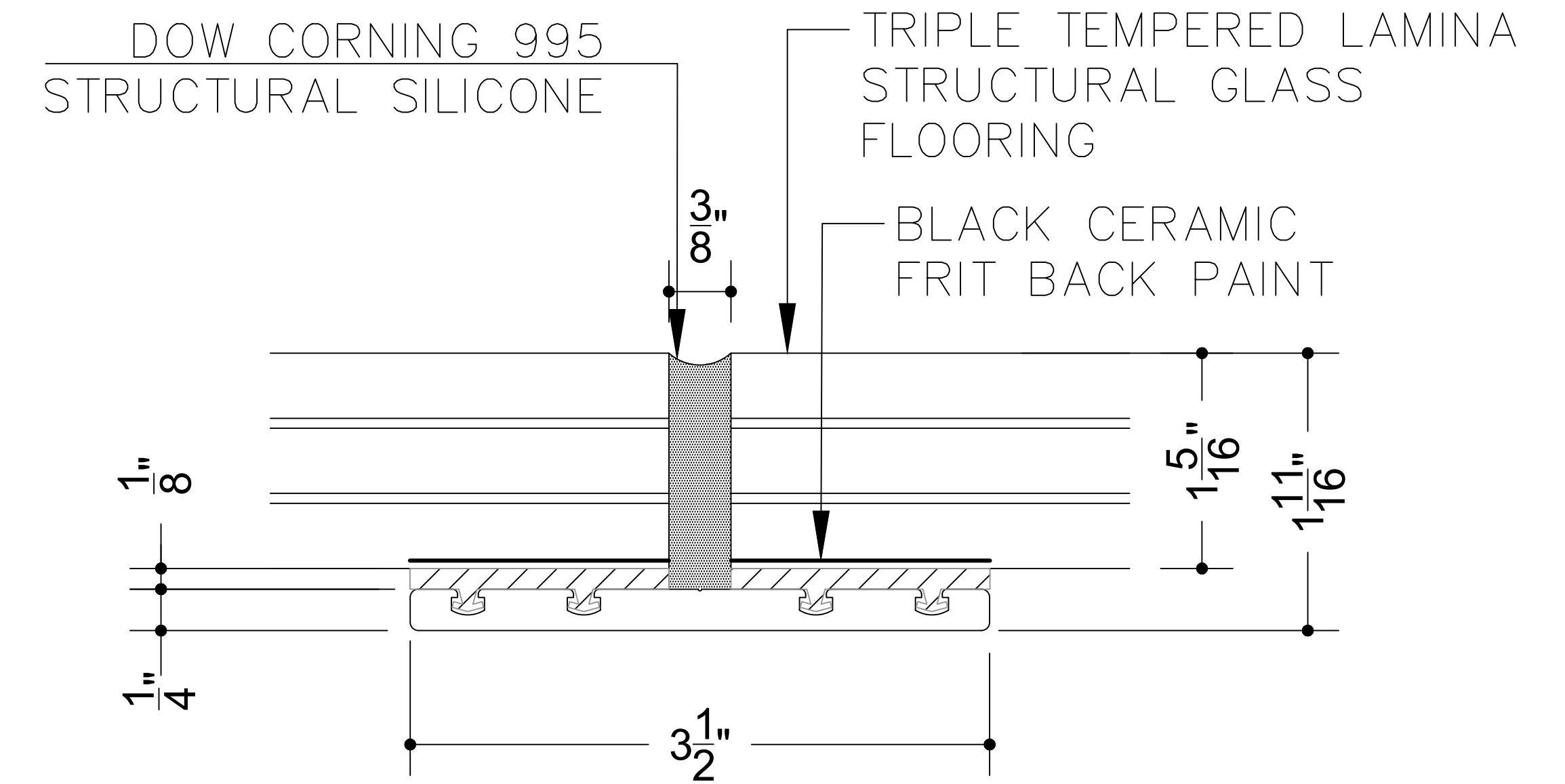
MANUFACTURER		Glass Flooring Systems, Inc. 6 Aaron Way Sparta, NJ 07871	
PROJECT		SkyFloor® Modular Glass Deck System - 96X96	
ALL ELEVATIONS ARE VIEWED FROM EXTERIOR / NOT TO SCALE			
DRAWN	DATE	GFS96X96LR & GFS96X96ND	S-104
GFS	11/22/22		6 of 8

# 96X96 INDIVIDUAL UNIT

## GFS96X96LR AND GFS96X96ND



**DETAIL 3 - SKYFLOOR® MODULAR GLASS DECK  
FLAT RAFTER EXTRUSION WITH  
EDPM SETTING GASKET**



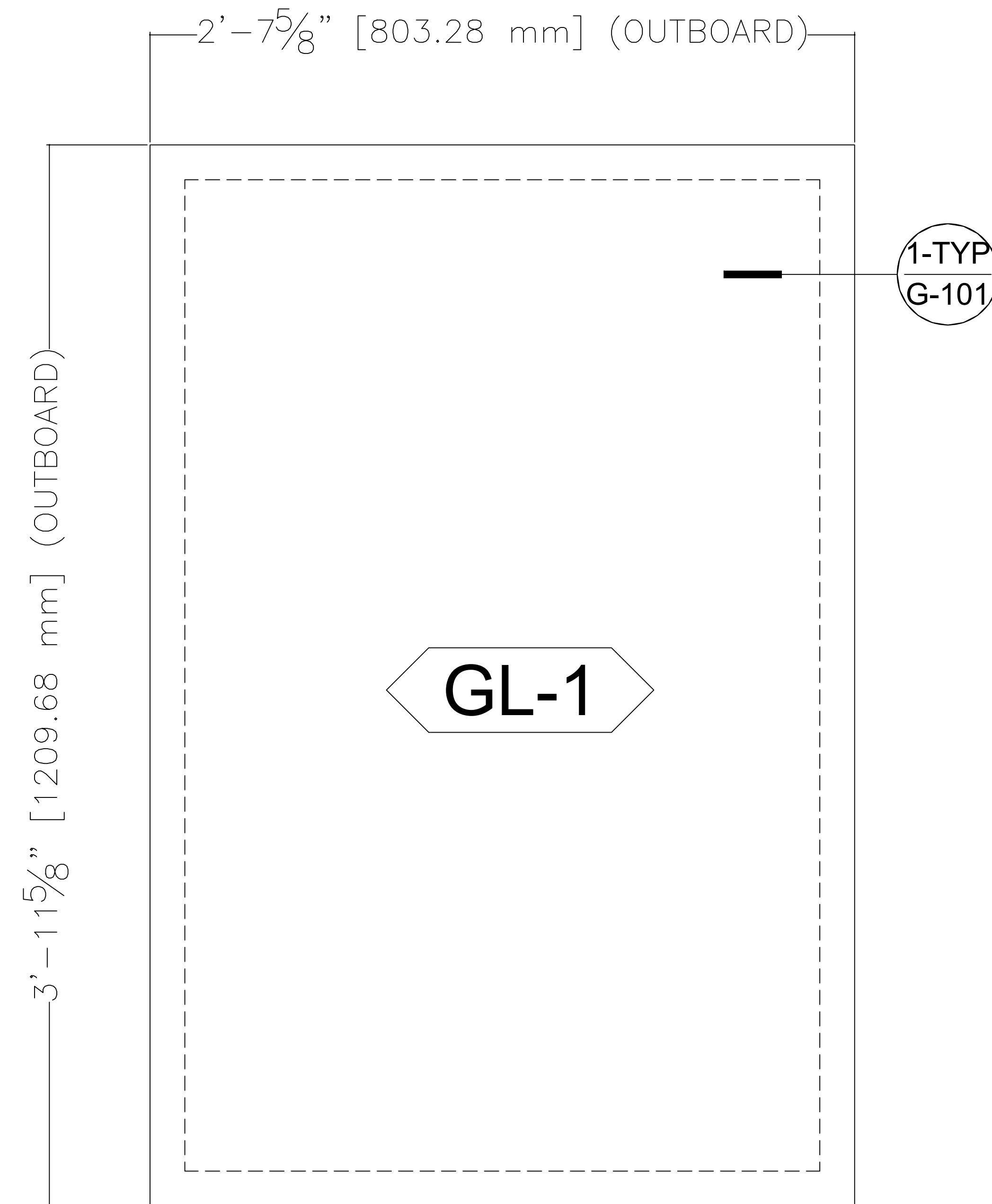
**DETAIL - SKYFLOOR® MODULAR GLASS DECK  
FLAT RAFTER EXTRUSION WITH  
EDPM SETTING GASKET**

**SUPPORT DECK FRAMING  
SHOWN FOR EXAMPLE ONLY  
PLEASE REFER TO DECK BUILDER FOR  
ACCURATE FRAMING DETAIL**

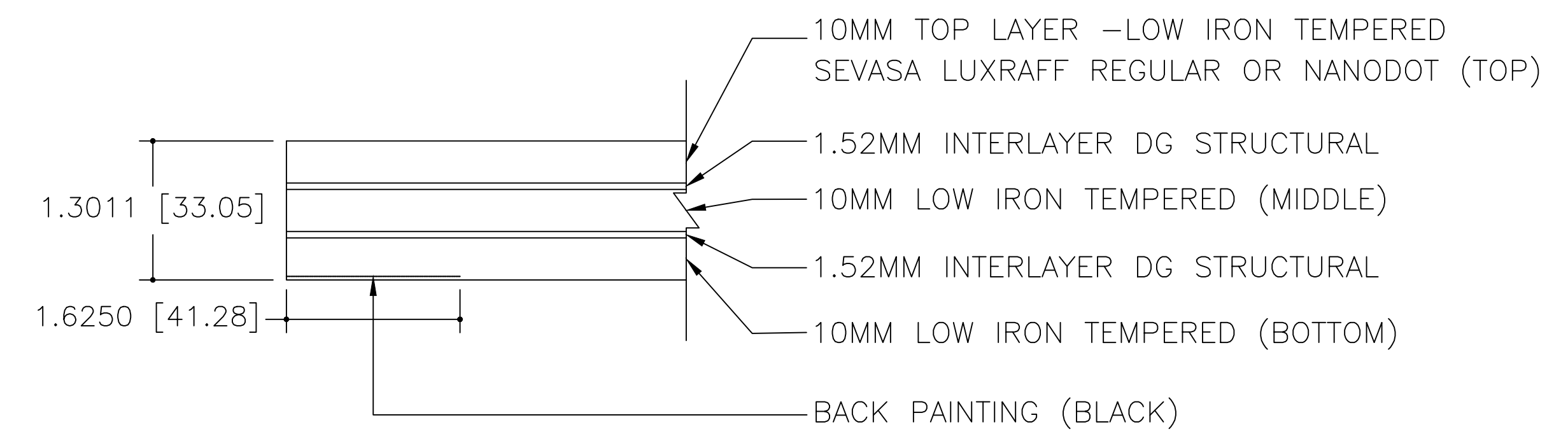
MANUFACTURER		Glass Flooring Systems, Inc. 6 Aaron Way Sparta, NJ 07871	
PROJECT		SkyFloor® Modular Glass Deck System - 96X96	
ALL ELEVATIONS ARE VIEWED FROM EXTERIOR / NOT TO SCALE			
DRAWN	DATE	GFS96X96LR & GFS96X96ND S-105	SHEET
GFS	11/22/22		7 of 8

# 96X96 INDIVIDUAL UNIT

## GFS96X96LR AND GFS96X96ND



PLAN VIEW - INDIVIDUAL UNIT A GLASS (QTY 6)



DETAIL - GLASS ASSEMBLY

### GLASS TEXTURES

- LUXRAFF® REGULAR
- NANODOT®

MANUFACTURER		Glass Flooring Systems, Inc. 6 Aaron Way Sparta, NJ 07871	
PROJECT		SkyFloor® Modular Glass Deck System - 96X96	
ALL ELEVATIONS ARE VIEWED FROM EXTERIOR / NOT TO SCALE			
DRAWN	DATE	GFS96X96LR & GFS96X96ND G-101	SHEET
GFS	11/22/22		8 of 8